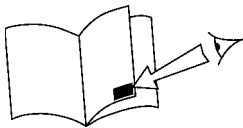




Trusted Quality Fall Protection



IFU 5902392

SPECIFIC INSTRUCTIONS



EN795 CLASS B
Please read this User Manual carefully before installing and using this product.

Fixed Anchorage Point

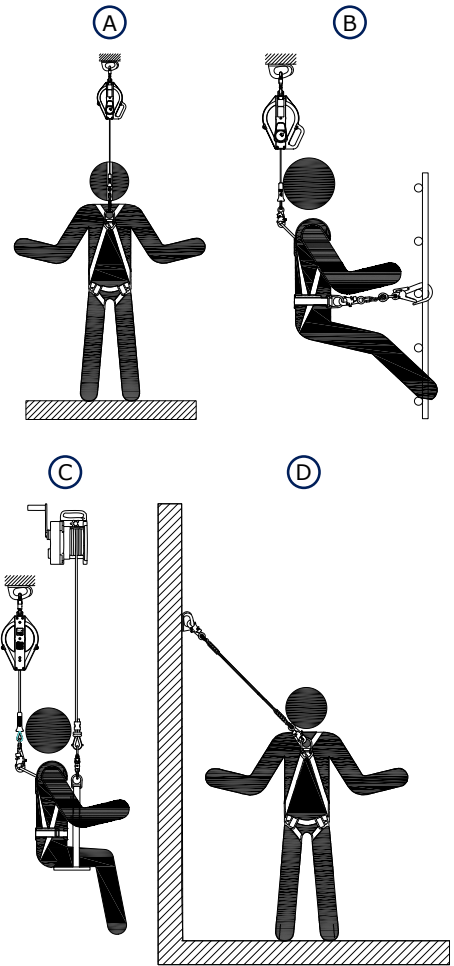
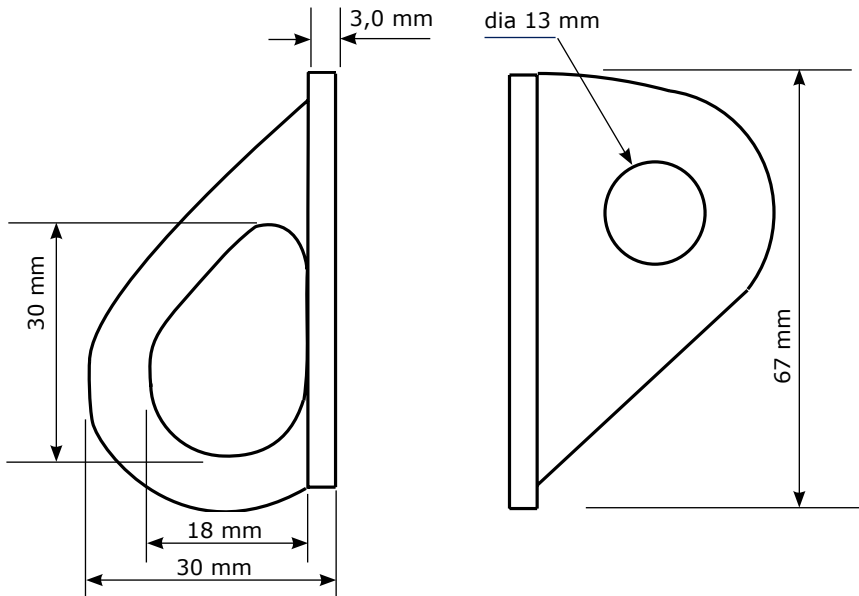
Model Number: AM210



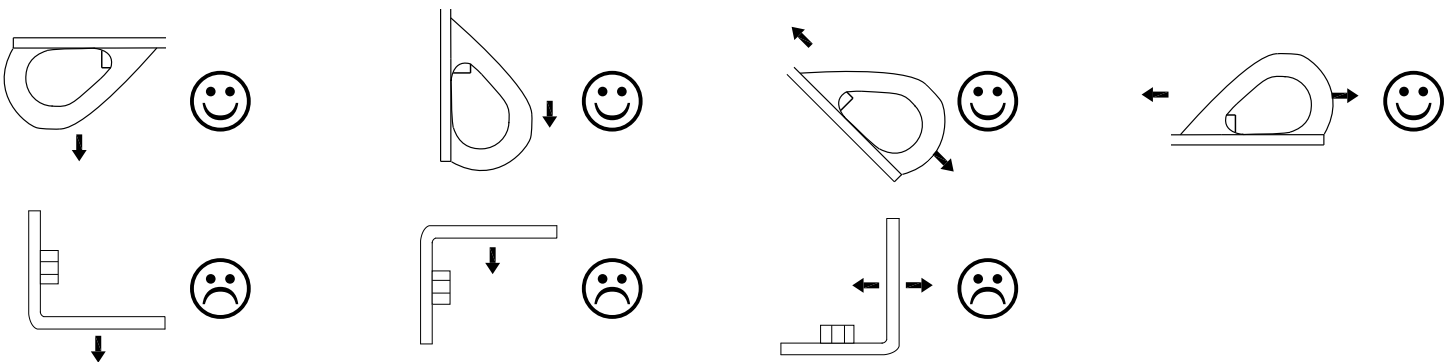
USER INSTRUCTION MANUAL FIXED ANCHORAGE POINT

This manual is intended to meet the Manufacturer's Instructions and should be used as part of an employee training program.

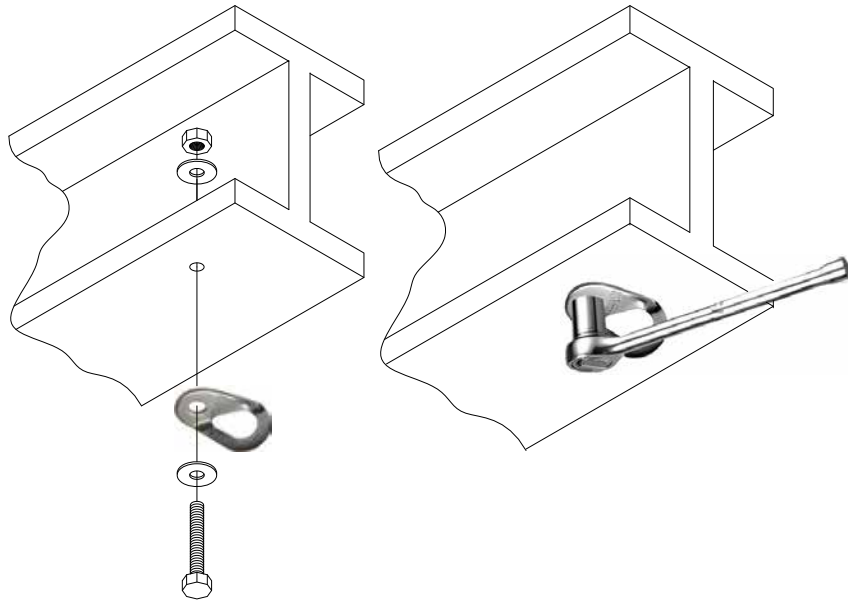
1



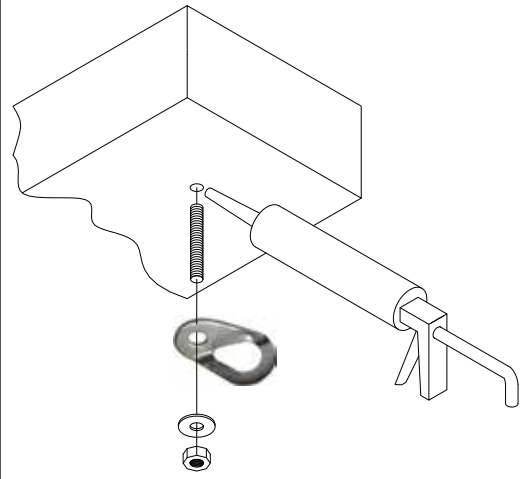
2



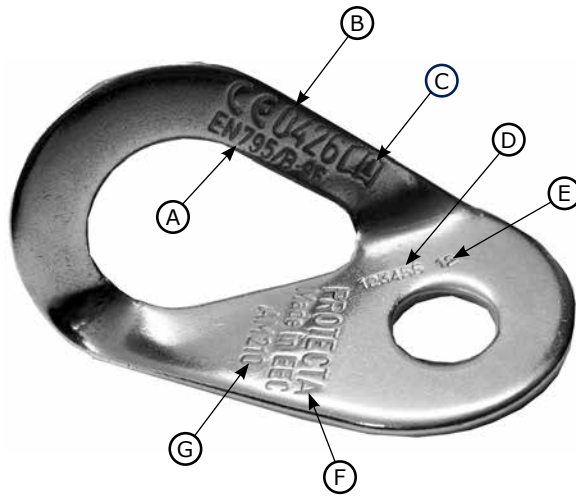
3



4



5



FOREWORD

This instruction describes installation and use of the Protecta *Fixed Anchorage Point*. It should be used as part of an employee training program.

IMPORTANT: Before using this equipment, record the product identification information from the product markings (identified in photo on front cover) on the 'Equipment Identification Sheet' at the back of the "General Instructions for Use and Maintenance" (5902392).

PURPOSE

DESCRIPTION: The Protecta *Fixed Anchorage Point* (Figure 1) is a stainless steel anchor rated for one user in two directions. It installs in steel structures with an M12 A2 or A4 class bolt, or in masonry with an M12 chemical resin fastener.

APPLICATIONS: Figure 1 illustrates typical applications. The Fixed Anchorage Point can be used as an anchorage point for Fall Arrest (A), Positioning (B), Suspension (C), and Fall Restraint (D) systems.

USE

The Fixed Anchorage Point is a single point fall arrest anchor tested to, and in conformance with EN795 Class B. It can serve as the anchorage point(s) for a lanyard. The Fixed Anchorage Point allows the user full freedom in the work zone while securely connected to a safety system. Users should attach to the *Fixed Anchorage Point* via a energy absorbing lanyard attached to a full body harness.

WARNING: When connecting to the Fixed Anchorage Point, exercise caution and observe that the connector is fully closed and locked. Failure to establish secure connections to the Fixed Anchorage Point for the rescuer or rescue subject may cause severe injury or death.

WARNING: Working at height has inherent risks. Risks include, but are not limited to: falling, suspension/prolonged suspension, striking objects, and unconsciousness. In the event of a fall arrest and/or subsequent rescue (emergency) situation, some personal medical conditions may affect your safety. Medical conditions identified as risky for this type of activity include, but are not limited to the following: heart disease, high blood pressure, vertigo, epilepsy, drug or alcohol dependence, psychiatric illness, impaired limb function, and balance issues. We recommend that your employer/physician determine if you are fit to handle normal and emergency use of this equipment. A rescue plan must be in place to deal with any emergencies that could arise during work.

WARNING: Do not use the Fixed Anchorage Point for applications other than those addressed in these instructions. Inappropriate use may result in injury or death. This product is part of a fall protection system. Installers and users must read and follow the manufacturer's instructions for each component of the system. Alterations or misuse of this equipment, or failure to follow instructions, may result in serious injury or death.

TRAINING: It is the responsibility of users of this equipment to understand these instructions and be trained in correct installation, use, and maintenance of this equipment. Users must be aware of the consequences of improper installation or use of this equipment. This instruction manual is not a substitute for a training program. Training by a competent person trainer¹ must be provided on a periodic basis to ensure user proficiency. Contact Capital Safety for information on training classes, or if you have questions regarding use of this equipment.

PERSONAL PROTECTIVE EQUIPMENT (PPE): All types of Fall Arrest or Restraint PPE may be attached to the Fixed Anchorage Point. PPE used with the Fixed Anchorage Point must be tested to relevant EN standards and bare the CE mark where appropriate. Other fall arrest equipment, such as inertial reel retractable blocks or rope grabs can be used with the Fixed Anchorage Point. Consult the manufacturer's instructions for orientation restrictions. A full body harness is the only acceptable body-holding device that can be used with a Fall Arrest system.

WARNING: All Personal Protective Equipment (PPE) must be used and inspected in accordance with the manufacturer's instructions for use. Always consult the manufacturer to determine suitability of use with the Fixed Anchorage Point with respect to connectors, fall clearances, sharp edges, etc.

CAPACITY: As noted on the product markings, the maximum number of persons that can be connected to the Fixed Anchorage Point for Fall Arrest purposes is one (1) user. The maximum allowable weight (including equipment and clothing) for the person connected to the Fixed Anchorage Point is 100 kg.

APPLIED LOADS: Figure 2 shows correct (☺) and incorrect (☹) loading directions for the Fixed Anchorage Point. Loads should always be applied in directions parallel to the anchor faces and never perpendicular to the anchor faces. The Fixed Anchorage Point is designed for use with systems that limit applied arrest loads to 6 kN or less. Static loads must not exceed 272 kg. Only one person can be attached to the Fixed Anchorage Point. Attachment of two PPE systems by a single user is prohibited.

¹ **COMPETENT PERSON TRAINER:** An individual who by training, knowledge, and experience is capable of conducting competent person training.

FALL FACTORS: The Fixed Anchorage Point can be used in all Fall Factor situations: 0, 1, or 2.

PRE-USE INSPECTION: Prior to each use to the Fixed Anchorage Point, inspect the Fixed Anchorage Point per the instructions in Table 1.

INSTALLATION

Installation of the Fixed Anchorage Point must be performed by competent person(s)² familiar with the Fixed Anchorage Point. The following guidelines must be read and understood by all members of the installation team:

PRIOR TO INSTALLATION: Plan your fall protection system. Consider all factors that will affect safety during use of the equipment. Select a suitable strength structure that will prove overall safety and proper loading strength. The Fixed Anchorage Point installation should factor in the following considerations:

- Height above the work surface
- Clearance to first obstacles
- Work area hazards
- Type of fall protection system desired/needed.
- PPE to be used in the system

IMPORTANT: *If you have questions on the use, care, or suitability of this equipment for your application, contact Capital Safety. Modification and alteration of the Fixed Anchorage Point is not permitted without prior agreement from Capital Safety.*

WARNING: *When working at height to install the Fixed Anchorage Point, use fall protection incorporating anchorage independent of the anchorage you are installing.*

ANCHORAGE STRUCTURE: The structure to which the Fixed Anchorage Point is mounted must be capable of sustaining 12 kN of force in the anticipated direction(s) of loading (see Figure 2). Each Fixed Anchorage Point location must be capable of sustaining this load.

PLANE OF ANCHORAGE SURFACE: If the Fixed Anchorage Point is to be installed on a surface that is not perpendicular to the user walking level (e.g., curved or inclined roof, narrow ledge at head height), or a curved surface perpendicular to the user walking level (e.g., silo or vat), consult Capital Safety prior to installation.

INSTALLATION HEIGHT: The Fixed Anchorage Point may be installed at any practical height above the work surface.

RESTRAINT SYSTEMS: Where possible, installations should be designed as a restraint application (see Figure 1). Restraint systems prevent the user from reaching a position where a fall can occur; therefore, no free-fall is possible.

FALL ARREST SYSTEMS: When the Fixed Anchorage Point is used in a Fall Arrest system, it is important to consider the following factors during design:

- **Anchorage Point** - Mount anchors as high as possible in relation to the user. This minimizes possible free fall, making rescue easier and less distressing on the victim. Avoid anchor locations that increase the chance of swing fall. Swing falls occur when the anchorage point is not directly above the point where a fall occurs. The force of striking an object in a swing fall may cause serious injury or death. Minimize swing falls by working as close to the anchorage point as possible.
- **Anchor Orientation** - The Fixed Anchorage Point must be correctly oriented to support the loads applied by the system (see Figure 2).
- **Hazards** - The work area and path below should be free of any hazards (vehicles, fences, balconies, pedestrians, water/chemicals, etc.) that could injure the user or others if a fall occurs.

FASTENING REQUIREMENTS: The Fixed Anchorage Point is installed with M12 fasteners:

- (Figure 3) Install in metal with an M12 A2 or A4 Class Stainless Steel Bolt.
- (Figure 4) Install in masonry with an M12 Adhesive Anchoring System (Hilti HIT-HY 150 or equivalent). Follow the manufacturer's instructions for installing the Adhesive Anchoring system.
- A Locking Nut and Washer must be used in all installations. All fasteners should be tightened to the fastener manufacturer's torque recommendations.
- Attach the included Installation Label to the Fixed Anchorage Point after installation.

PROOF LOAD TESTING: After installation, the Fixed Anchorage Point must be proof loaded. Using a tension tester, apply a 5kN load for at least 15 seconds in a direction perpendicular to the mating surface. There should be no pull out of fixing or deformation of eye.

² **COMPETENT PERSON:** *An individual designated by the employer to be responsible for the immediate supervision, implementation, and monitoring of the employer's managed fall protection program who, through training and knowledge, is capable of identifying, evaluating, and addressing existing and potential fall hazards, and who has the employer's authority to take prompt corrective action with regard to such hazards.*

NOTE:

- Capital Safety strongly recommends that all anchors be fitted in accordance with the manufacturers instructions for use, and with the installation requirements of EN 795 Class B and BS 7883 Class B (UK only).
- Proof loading is not required for through-hole installations in steel structure, unless required by the purchaser.
- Each of Fixed Anchorage Point must sustain the 500 kg proof load without showing any deformation, permanent yield, or slip of the fastener. Any of these occurrences constitutes a failure. Any failure indicates that the type of fastener tested is not suitable for use in the building material tested and must be rejected. The fastener manufacturer should be consulted for recommendation of a suitable fastener for the base material.
- In the event of a failure, a suitable fastener must be acquired and re-tested. Any rejected anchors must be discarded and their mounting holes plugged to prevent subsequent use.
- After testing the structural material should be carefully examined for cracking, or other signs of failure. This is essential where an anchor is close to the edge of the structural material. For anchors near the edge of a structure, suitability of the intended fastener should be verified with the manufacturer.

INSPECTION AND SERVICE

Table 1 lists inspection and service processes and their frequencies. Servicing should only be performed by a trained Competent Person². Do not use the Fixed Anchorage Point being inspected/serviced. A different anchorage point and independent fall protection should be utilized.

Table 1 - Inspection & Service

Frequency		Inspection/Service:	Action:
Before Each Use	Every Year		
X		Verify that all components of the attached safety system are securely and correctly connected together.	Reconnect components which are not correctly connected. Consult the manufacturer's User Instructions for connection requirements.
X	X	Inspect the Fixed Anchorage Point for defects in the metal (excessive corrosion, wear, splits, cracks, bends, etc.).	If defects are sufficient to decrease the strength of the Fixed Anchorage Point, remove the anchor from service and replace.
X	X	Inspect the markings on the Fixed Anchorage Point (see cover photo). All markings should be present and legible.	If markings are not present or are illegible, remove the anchor from service and replace.
X	X	Inspect the fastener(s) and structural material for damage that could affect the anchors holding strength. Inspect the surrounding work area to ensure no hazards or obstructions are present which may injure the user or affect system performance.	Replace damaged fasteners. Re-install the anchor in a new hole if structural material around the mounting hole is damaged. Where the anchor is installed in masonry with an adhesive anchoring system, Re-install in a new hole.
	X	Installations in Masonry: Every 12 months, proof load test anchors installed in masonry (see <i>Proof Load Testing</i>). Torque fasteners with a torque wrench to the manufacturer's recommended torque value. Defective articles must be replaced.	
	X	Through-Hole Installations in Metal: Every 12 months, visually inspect through-hole anchor installations in metal for defects in the surrounding metalwork. Torque fasteners with a torque wrench to the manufacturer's recommended torque value. Defective articles must be replaced.	

IMPORTANT: Extreme working conditions (harsh environments, prolonged use, etc.) may require more frequent inspection. Record the inspection/service date and results in the 'Periodic Examination and Repair History' in the "General Instructions for Use and Maintenance" (5902392).

IMPORTANT: Equipment should be removed from use if pre-use inspection creates any doubt about the equipment condition. Equipment must not be put back into service until a competent person confirms in writing that it is acceptable to do so.

IMPORTANT: In the event of a fall and subsequent fall arrest, the Fixed Anchorage Point must be withdrawn from use and inspected by a competent person to determine if it can be returned to service. If it is returned to service, this action must be recorded in the Inspection and Maintenance Log in this instruction.

IMPORTANT: To ensure user safety if the Fixed Anchorage Point is re-sold outside the original country of destination, the reseller must provide instruction for use, maintenance, periodic inspection and repair in the language of the country in which the product is to be used.

MARKINGS (See Figure 5)

(A)	Standard to which Anchor conforms.
(B)	Notified body number.
(C)	Read user instruction.
(D)	Serial number.
(E)	Year manufactured.
(F)	Brand name.
(G)	Part number.

VORWORT

Diese Anleitung beschreibt Montage und Einsatz des *festen Verankerungspunktes* Protecta. Sie sollte als Teil des Mitarbeiter-Schulungsprogramms verwendet werden.

WICHTIG: Tragen Sie vor dem Einsatz dieser Ausrüstung die Informationen zur Produktidentifikation (auf dem Produkt; siehe Foto auf der Vorderseite) in das Blatt zur Identifikation der Ausrüstung am Ende der „Gebrauchsanweisung und Wartungshinweise“ (5902392) ein.

ZWECK

BESCHREIBUNG: Der *feste Verankerungspunkt* Protecta (Abbildung 1) ist ein Anker aus rostfreiem Stahl und kann von einer Person in zwei Richtungen verwendet werden. Er wird an Strukturen aus Stahl mit einem M12 Bolzen der Klasse A2 oder A4 oder an Mauerwerk mit einem chemischen Befestigungselement aus Kunstharz (M12) installiert.

ANWENDUNGSBEREICHE: In Abbildung 1 wird ein typischer Anwendungsbereich dargestellt. Der feste Verankerungspunkt kommt als Verankerungspunkt bei der Absturzsicherung (A), Arbeitspositionierung (B), beim freien Hängen (C) und in Rückhaltesystemen (D) zum Einsatz.

VERWENDUNG

Beim festen Verankerungspunkt handelt es sich um eine Absturzsicherung an einem Punkt gemäß EN795 Klasse B, die dementsprechend getestet wurde. Der Anker kann als Verankerungspunkt für ein Verbindungsmittel eingesetzt werden. Der feste Verankerungspunkt ermöglicht dem Anwender uneingeschränkte Bewegungsfreiheit im Arbeitsbereich, während dieser sicher mit einem Sicherungssystem verbunden ist. Benutzer sollten sich über ein an einem Ganzkörper-Auffanggurt befestigten Verbindungsmittel mit Falldämpfer mit dem *festen Verankerungspunkt* verbinden.

WARNUNG: Gehen Sie beim Befestigen eines Sicherungssystems am festen Verankerungspunkt umsichtig vor und achten Sie darauf, dass alle Verbindungsmittel vollständig geschlossen und verriegelt sind. Sind die Verbindungsmittel am festen Verankerungspunkt nicht sicher installiert, besteht für die gestürzte und die rettende Person Verletzungsgefahr oder sogar Lebensgefahr.

WARNUNG: Arbeit in großer Höhe ist gefährlich. Zu den Gefahren zählen u. a. Abstürze, das Hängen oder längere Hängen in Rettungsvorrichtungen, Aufprallen auf Objekte und Verlust des Bewusstseins. Falls eine Absturzsicherung und/oder eine darauf folgende (Not-)Rettungssituation eintreten, können persönliche medizinische Beschwerden Ihre Sicherheit beeinträchtigen. Hierzu zählen unter anderem Herzerkrankungen, Bluthochdruck, Schwindel, Epilepsie, Drogen- oder Alkoholkonsum, psychische Erkrankungen, körperliche Einschränkungen sowie Gleichgewichtsstörungen. Wir empfehlen Ihnen, von Ihrem Arbeitgeber/behandelnden Arzt feststellen zu lassen, ob Sie geeignet sind, diesen Ausrüstungsgegenstand im Normal- und Notfall einzusetzen. Es muss einen Rettungsplan für Notfälle geben, die während der Arbeit auftreten könnten.

WARNUNG: Verwenden Sie den festen Verankerungspunkt ausschließlich für die in diesen Anweisungen beschriebenen Einsatzbereiche. Ungeeignete Einsatzbereiche können zu Verletzungen oder Tod führen. Dieses Produkt ist Teil eines Absturzsicherungssystems. Monteure und Anwender müssen die Herstelleranweisungen für jede Komponente des gesamten Systems lesen und befolgen. Änderungen oder unsachgemäßer Gebrauch der Ausrüstung oder die Nichteinhaltung der Anweisungen können zu schweren Verletzungen oder zum Tod führen.

SCHULUNG: Es liegt in der Verantwortung des Benutzers dieser Ausrüstung, die Anweisungen zu verstehen und sich in die korrekte Installation, Verwendung und Wartung dieser Ausrüstung einweisen zu lassen. Benutzer müssen sich der Folgen einer falschen Montage oder Verwendung dieser Ausrüstung bewusst sein. Diese Anleitung ist kein Ersatz für ein Schulungsprogramm. Regelmäßige Schulungen durch einen sachverständigen Ausbilder¹ sind erforderlich, damit die Befähigung des Anwenders stets gewährleistet ist. Kontaktieren Sie Capital Safety für Informationen zu Schulungskursen oder falls Sie Fragen zum Gebrauch der Ausrüstung haben.

PERSÖNLICHE SCHUTZAUSRÜSTUNG (PSA): Alle Arten der persönlichen Schutzausrüstung zur Absturzsicherung oder Rückhaltung dürfen am festen Verankerungspunkt befestigt werden. Die mit dem festen Verankerungspunkt verwendete PSA muss gemäß der entsprechenden EN-Standards getestet sein und gegebenenfalls eine CE-Kennzeichnung aufweisen. Andere Absturzsicherungssysteme, wie zum Beispiel Höhensicherungsgeräte mit ausziehbarem Stahlseil oder mitlaufende Auffanggeräte können mit dem festen Verankerungspunkt problemlos verwendet werden. Überprüfen Sie die Gebrauchsanweisungen der Hersteller auf Einschränkungen hinsichtlich der Ausrichtung der Komponenten. Ein Ganzkörper-Auffanggurt ist die einzig akzeptable Körperauffangvorrichtung für den Gebrauch in einem Absturzsicherungssystem.

WARNUNG: Jegliche persönliche Schutzausrüstung (PSA) ist in Übereinstimmung mit den Herstelleranweisungen zu verwenden und zu überprüfen. Ziehen Sie stets den Hersteller zurate, um die Eignung zur Verwendung zusammen mit dem festen Verankerungspunkt bezüglich Verbindungselementen, Fallräumen, scharfen Kanten usw. zu überprüfen.

TRAGFÄHIGKEIT: Wie auch auf dem Produkt gekennzeichnet kann maximal eine (1) Person zum Zweck der Absturzsicherung mit dem festen Verankerungspunkt verbunden sein. Das maximal zulässige Gewicht (inklusive Ausrüstung und Bekleidung) für jede am festen Verankerungspunkt befestigte Person beträgt 100 kg.

ANGEWANDTE LASTEN: In Abbildung 2 wird die richtige (☺) und falsche (☹) Belastungsrichtung des festen Verankerungspunktes illustriert. Die Belastungsrichtung sollte stets parallel zu den Ankerflächen und niemals im rechten Winkel dazu liegen. Der feste Verankerungspunkt ist für die Verwendung mit Systemen ausgelegt, die Absturzsicherungsbelastungen auf 6 kN oder weniger einschränken. Statische Lasten dürfen 272 kg nicht übersteigen. Es darf nur eine Person mit dem festen Verankerungspunkt verbunden werden. Das Anbringen von zwei PSA-Systemen durch eine einzelne Person ist nicht gestattet.

¹ **SACHVERSTÄNDIGER AUSBILDER:** Eine Person, die durch Schulungen, Wissen und Erfahrung dazu befähigt ist, als sachverständiger Ausbilder Schulungen durchzuführen.

STURZFAKTOREN: Der feste Verankerungspunkt hält der Belastung durch alle Sturzfactoren stand: 0, 1 oder 2.

ÜBERPRÜFUNG VOR DEM GEBRAUCH: Überprüfen Sie den festen Verankerungspunkt vor jedem Einsatz gemäß den Anweisungen in Tabelle 1.

INSTALLATION:

Die Installation des festen Verankerungspunktes muss durch Fachpersonal² durchgeführt werden, welches mit dem festen Verankerungspunkt vertraut ist. Die folgenden Richtlinien müssen von allen Mitgliedern des Montageteams gelesen und verstanden werden.

VOR DER INSTALLATION: Planen Sie Ihr Absturzschutzsystem. Bedenken Sie alle Faktoren, die Ihre Sicherheit während der Verwendung dieser Ausrüstung beeinträchtigen könnten. Wählen Sie eine Struktur mit geeigneter Stärke, die eine allgemeine Sicherheit und bestmögliche Belastungsrichtung bietet. Die Installation des festen Verankerungspunktes sollte unter Berücksichtigung der folgenden Punkte erfolgen:

- Höhe über der Arbeitsoberfläche.
- Fallraum bis zum ersten Hindernis.
- Andere Gefahren im Arbeitsbereich.
- Typ des benötigten/erwünschten Absturzschutzsystems.
- PSA, die im System zum Einsatz kommt.

WICHTIG: Wenn Sie Fragen zum Gebrauch, zur Pflege oder Tauglichkeit dieser Ausrüstung für Ihren Anwendungsbereich haben, kontaktieren Sie bitte Capital Safety. Modifizierungen und Änderungen am festen Verankerungspunkt sind ohne die vorhergehende Erlaubnis von Capital Safety nicht gestattet.

WARNUNG: Wenn die Installation des festen Verankerungspunktes selbst als Höhenarbeit durchgeführt werden muss, verwenden Sie hierfür zusätzliche PSA und Verankerungen unabhängig von der Verankerung, die Sie gerade installieren.

VERANKERUNGSSTRUKTUR: Die Struktur, an der der feste Verankerungspunkt montiert wird, muss einer Belastung von 12 kN in die jeweilige Belastungsrichtung standhalten (siehe Abbildung 2). Jeder Standort eines festen Verankerungspunktes muss dieser Belastung standhalten können.

EBENE DER VERANKERUNGSOBERFLÄCHE: Soll der feste Verankerungspunkt an einer Oberfläche installiert werden, die sich nicht im rechten Winkel zum Boden befindet (z. B. gewölbte oder schräge Decke, schmaler Mauerabsatz auf Kopfhöhe) oder im rechten Winkel zum Boden gekrümmt (z. B. in einem Silo oder Lagertank), wenden Sie sich vor der Installation an Capital Safety.

INSTALLATIONSHÖHE: Der feste Verankerungspunkt kann auf jeder praktikablen Höhe über der Arbeitsoberfläche installiert werden.

RÜCKHALTESYSTEME: Wenn möglich sollten die installierten Systeme als Rückhaltesysteme ausgelegt sein (siehe Abbildung 1). Rückhaltesysteme verhindern, dass der Anwender in eine absturzgefährdete Situation gerät, so dass kein freier Fall möglich ist.

ABSTURZSICHERUNGSSYSTEME: Wird der feste Verankerungspunkt in einem Absturzschutzsystem eingesetzt, müssen beim Entwurf des Systems folgende Faktoren unbedingt berücksichtigt werden:

- **Verankerungspunkt** – Installieren Sie Verankerungen so hoch wie möglich über dem Anwender. Auf diese Weise wird die Möglichkeit eines freien Falls minimiert und eine Rettung kann einfacher und für das Opfer stressfreier durchgeführt werden. Vermeiden Sie Anschlagpunktstandorte, die die Möglichkeit eines schwingenden Absturzes erhöhen. Zu einem Schwingen beim Absturz kommt es, wenn der Verankerungspunkt sich nicht direkt über dem Punkt befindet, an dem es zum Absturz kam. Der Aufprall auf ein Objekt durch Schwingen kann zu schweren Verletzungen oder zum Tod führen. Vermeiden Sie einen schwingenden Absturz, indem Sie so nahe wie möglich am Verankerungspunkt arbeiten.
- **Ausrichtung der Verankerung** – Der feste Verankerungspunkt muss ordnungsgemäß ausgerichtet sein, um die im System auftretenden Lasten tragen zu können (siehe Abbildung 2).
- **Gefahren** – Der Arbeitsbereich und der Raum unterhalb sollten frei von Gefahren sein (Fahrzeuge, Zäune, Balkone, Fußgänger, Wasser/Chemikalien usw.), die den Anwender oder andere Personen im Falle eines Sturzes zusätzlich verletzen könnten.

BEFESTIGUNGSANFORDERUNGEN: Der feste Verankerungspunkt wird mit M12-Befestigungen montiert:

- (Abbildung 3) Installation an Metall mit einem Bolzen aus rostfreiem Stahl (M12, Klasse A2 oder A4).
- (Abbildung 4) Installation an Mauerwerk mit einem Klebeankersystem (M12, Hilti HIT-HY 150 oder äquivalent). Befolgen Sie die Anweisungen des Herstellers für die Installation des Klebeankersystems.
- Bei allen Installationsarten müssen eine Mutter und Unterlegscheibe verwendet werden. Alle Befestigungselemente müssen gemäß den Drehmomentempfehlungen des Herstellers festgezogen werden.
- Befestigen Sie nach der Installation des festen Verankerungspunktes das Installationsetikett daran.

PRÜFTLAST-TEST: Nach der Installation muss der feste Verankerungspunkt einer Prüflast ausgesetzt werden. Führen Sie eine Zugprüfung mit 5 kN Belastung während mindestens 15 Sekunden durch, und zwar im rechten Winkel zur tragenden Oberfläche. Die Befestigung darf sich nicht lösen und die Öse nicht verformen.

² **KOMPETENTE PERSON:** Eine vom Arbeitgeber ernannte Person, die für die unmittelbare Aufsicht, Durchführung und Überwachung des Absturzschutzprogramms des Arbeitgebers zuständig ist. Diese Person ist durch Schulungen und Wissen in der Lage, vorhandene und potentielle Absturzgefahren zu erkennen, evaluieren und beheben. Sie besitzt die ausdrückliche Autorisierung des Arbeitgebers, angesichts solcher Gefahren sofortige Gegenmaßnahmen zu ergreifen.

HINWEIS:

- Capital Safety empfiehlt dringend, alle Verankerungen gemäß der Installationsanleitungen der Hersteller sowie in Übereinstimmung mit den Montageanforderungen gemäß EN 795 Klasse B und BS 7883 Klasse B (nur UK) zu montieren.
- Ein Prüflast-Test ist für Installationen mit Durchgangsbohrungen an Stahlstrukturen nicht erforderlich, außer vom Käufer angeordnet.
- Jeder feste Verankerungspunkt muss einer Prüflast von 500 kg standhalten, ohne dass Deformierungen, bleibende Stauchungen oder ein Verrutschen der Befestigungselemente auftreten. Jegliches Auftreten einer dieser Situationen stellt ein Versagen dar. Jegliches Versagen deutet darauf hin, dass das getestete Befestigungselement für die vorhandene Struktur nicht geeignet ist und verworfen werden muss. In diesem Fall sollten beim Hersteller der Befestigungselemente Empfehlungen für ein passendes Befestigungselement für das vorhandene Strukturmaterial eingeholt werden.
- Im Falle eines Versagens muss ein passendes Befestigungselement besorgt und erneut getestet werden. Alle verworfenen Anker müssen entsorgt und deren Montagelöcher versiegelt werden, um eine erneute Verwendung auszuschließen.
- Nach dem Test sollte das Baumaterial sorgfältig auf Risse oder andere Beschädigungen überprüft werden. Dies ist besonders wichtig, wenn ein Anker am Baumaterial in Kantennähe montiert werden muss. Für Anker in Kantennähe sollte die Eignung des vorgesehenen Befestigungselements beim Hersteller verifiziert werden.

ÜBERPRÜFUNG UND WARTUNG

In Tabelle 1 werden die Prüf- und Wartungsprozesse und deren Häufigkeit beschrieben. Wartungsarbeiten sollten ausschließlich von geschultem Fachpersonal² durchgeführt werden. Verwenden Sie den zu überprüfenden/wartenden festen Verankerungspunkt nicht. In diesem Fall sollten ein anderer Anschlagpunkt und ein unabhängiges Absturzsicherungssystem verwendet werden.

Tabelle 1 - Überprüfung & Wartung			
Häufigkeit		Überprüfung / Wartung	Aktion:
Vor jedem Einsatz	Jährlich		
X		Stellen Sie sicher, dass alle Komponenten des befestigten Sicherungssystems sicher und ordnungsgemäß miteinander verbunden sind.	Verbinden Sie Komponenten, die nicht ordnungsgemäß verbunden wurden, erneut. Überprüfen Sie die Gebrauchsanweisungen der Hersteller auf Anforderungen hinsichtlich der Befestigung.
X	X	Überprüfen Sie den festen Verankerungspunkt auf Defekte am Metall (übermäßige Korrosion, Abnutzung, Kratzer, Risse, Deformierungen usw.).	Sollen die Defekte die Festigkeit des festen Verankerungspunktes beeinträchtigen, muss der Anker ausgesondert und ersetzt werden.
X	X	Überprüfen Sie die Markierungen auf dem festen Verankerungspunkt (siehe Titelfoto). Alle Markierungen müssen vorhanden und lesbar sein.	Sind die Markierungen nicht vorhanden oder unleserlich, muss der Anker ausgesondert und ersetzt werden.
X	X	Überprüfen Sie die Befestigungselemente und das Baumaterial auf Schäden, die die Haltekraft der Anschlagpunkte beeinträchtigen könnten. Überprüfen Sie den umliegenden Arbeitsbereich auf Gefahren oder Behinderungen, die den Anwender oder die Systemleistung gefährden könnten.	Ersetzen Sie beschädigte Befestigungselemente. Installieren Sie den Anschlagpunkt in einer neuen Bohrung, wenn das Baumaterial um das ursprüngliche Bohrloch herum beschädigt ist. Wenn der Anschlagpunkt mit einem Klebeankersystem im Mauerwerk installiert wurde, muss dieser in einem neuen Bohrloch installiert werden.
	X	Installationen an Mauerwerk: Bei Verankerungspunkten an Mauerwerk muss alle 12 Monate ein Prüflast-Test durchgeführt werden (siehe Prüflast-Test). Drehmoment-Befestigungselemente mit einem Drehmomentschlüssel müssen mit dem vom Hersteller empfohlenen Drehmomentwert eingeschraubt werden. Defekte Teile müssen ersetzt werden.	
	X	Durchgangsbohrungen in Metallkonstruktionen: Installationen von Verankerungspunkten an Durchgangsbohrungen müssen alle 12 Monate visuell auf Defekte am umliegenden Metall überprüft werden. Drehmoment-Befestigungselemente mit einem Drehmomentschlüssel müssen mit dem vom Hersteller empfohlenen Drehmomentwert eingeschraubt werden. Defekte Teile müssen ersetzt werden.	

WICHTIG: Bei extremen Arbeitsbedingungen (raue Umgebung, lang anhaltende Verwendung usw.) sind eventuell häufigere Überprüfungen erforderlich. Halten Sie das Datum und die Ergebnisse der Überprüfung/Wartung im Übersichtsprotokoll für regelmäßige Überprüfungen und Reparaturen unter „Allgemeine Anweisungen zu Gebrauch und Wartung“ (5902392) fest.

WICHTIG: Die Ausrüstung darf nicht verwendet werden, wenn eine Überprüfung vor dem Gebrauch Zweifel am Zustand der Ausrüstung hinterlässt. Die Ausrüstung darf erst dann wieder verwendet werden, wenn eine kompetente Person schriftlich bestätigt, dass dies akzeptabel ist.

WICHTIG: Falls es zu einem Absturz und einer nachfolgenden Absturzsicherung kommt, darf der feste Verankerungspunkt erst dann wiederverwendet werden, wenn eine kompetente Person bestimmt, dass er funktionstüchtig ist. Eine Wiederverwendung muss im Inspektions- und Wartungsprotokoll dieser Anleitung vermerkt werden.

WICHTIG: Für die Sicherheit des Anwenders ist es unerlässlich, dass der Verkäufer bei einem Wiederverkauf des festen Verankerungspunktes außerhalb des ursprünglichen Bestimmungslandes Anleitungen für Betrieb, Wartung, regelmäßige Prüfung und Reparatur in der Sprache des Landes, in der das Produkt verwendet werden soll, zur Verfügung stellt.

MARKIERUNGEN (Siehe Abbildung 5)	
(A)	Standard, dem die Verankerung entspricht.
(B)	Nummer der benannten Stelle.
(C)	Benutzeranleitung lesen.
(D)	Seriennummer.
(E)	Herstellungsjahr.
(F)	Markenname.
(G)	Teilenummer.

FR AVANT-PROPOS

Cette notice décrit la procédure d'installation et d'utilisation du *point d'ancrage fixe* Protecta. Elle doit être utilisée dans le cadre de la formation des employés.

IMPORTANT : avant d'utiliser cet équipement, consigner les informations d'identification du produit se trouvant sur les étiquettes du produit (signalées sur la photo de la page de garde) sur la fiche d'identification à la fin du « Mode d'emploi et d'entretien général » (5902392).

OBJECTIF

DESCRIPTION : le *point d'ancrage fixe* Protecta (Figure 1) est un ancrage en acier inoxydable prévu pour un seul utilisateur dans deux directions. Il s'installe sur des structures en acier avec des boulons M12 A2 ou A4 ou avec des fermoirs en résine chimique M12 pour la maçonnerie.

USAGES : la Figure 1 illustre les usages typiques. Le point d'ancrage fixe peut servir de point d'ancrage pour les systèmes antichute (A), de positionnement (B), de suspension (C) et de ralentissement de la chute (D).

UTILISATION

Le point d'ancrage fixe est un point d'ancrage antichute unique testé et conforme aux normes EN795 Classe B. Il peut servir de point(s) d'ancrage pour une longe. Le point d'ancrage fixe permet à l'utilisateur de se déplacer librement dans son espace de travail tout en le liant solidement à un système de sécurité. Les utilisateurs doivent se raccorder au *point d'ancrage fixe* par un absorbeur d'énergie fixé à un harnais de sécurité intégral.

AVERTISSEMENT : lorsque vous vous liez au point d'ancrage fixe, œuvrez avec précaution et assurez-vous que le connecteur est complètement fermé et bien verrouillé. L'incapacité d'établir une connexion sûre avec le point d'ancrage fixe, pour le secouriste ou la personne à secourir, peut causer de graves blessures voire la mort.

AVERTISSEMENT : le travail en hauteur présente des risques. Ci-après figurent les risques éventuels (liste non exhaustive) : chute, suspension/suspension prolongée, objets provoquant des blessures et évanouissements. En cas d'arrêt de chute et/ou de sauvetage (ou d'une urgence), certains problèmes de santé personnels pourraient compromettre votre sécurité. La liste suivante identifie de manière non exhaustive quelques problèmes de santé présentant un risque pour ce type d'activité : maladie cardiaque, hypertension artérielle, vertige, épilepsie, alcoolisme ou toxicomanie, maladie mentale, motricité réduite d'un membre et problèmes d'équilibre. Nous conseillons à votre employeur/médecin de déterminer votre aptitude à utiliser cet équipement de façon normale et en situation d'urgence. Un plan de sauvetage doit être mis en place pour faire face aux situations d'urgence éventuelles pendant le travail.

AVERTISSEMENT : n'utilisez pas le point d'ancrage fixe pour un usage autre que ceux décrits dans ces instructions. Utiliser ce matériel de façon inappropriée peut causer des blessures voire la mort. Ce produit fait partie d'un système antichute. Les installateurs et les utilisateurs doivent lire et suivre les instructions du fabricant, et ce, pour chaque composant du système utilisé. Toute modification ou utilisation inappropriée de cet équipement, ou le non-respect de ces instructions, peut provoquer des blessures graves ou la mort.

FORMATION : tous les utilisateurs de cet équipement sont tenus de comprendre ces instructions et de suivre une formation pour installer, utiliser et entretenir correctement cet équipement. Ils doivent connaître les conséquences d'une installation ou d'une utilisation inappropriée de cet équipement. Ce manuel d'instruction n'est pas un substitut d'un programme de formation. La formation doit être dispensée régulièrement par un formateur de personnel qualifié¹ afin de garantir l'expertise des utilisateurs. S'adresser à Capital Safety pour tout renseignement concernant les formations ou pour toute question concernant l'utilisation de cet équipement.

ÉQUIPEMENT DE PROTECTION PERSONNELLE (EPP) : tous les systèmes d'EPP antichute ou de maintien peuvent être connectés au point d'ancrage fixe. Les EPP utilisés avec le point d'ancrage fixe doivent être testés conformément aux normes européennes et porter le symbole CE lorsque c'est nécessaire. D'autres systèmes antichute, comme les blocs rétractables d'enrouleur à inertie ou les coulisseaux de sécurité, peuvent être utilisés avec le point d'ancrage fixe. Consultez les instructions du fabricant pour connaître les restrictions relatives à son utilisation. Un harnais de sécurité intégral est le seul dispositif de maintien du corps acceptable qui puisse être utilisé dans un dispositif antichute.

AVERTISSEMENT : tous les Équipements de protection personnelle (EPP) doivent être utilisés et inspectés en respectant les instructions de l'utilisateur fournies par le fabricant. Toujours consulter le fabricant afin de déterminer s'il convient d'utiliser le point d'ancrage fixe avec certains connecteurs, en fonction de la distance d'arrêt, de la présence de bords tranchants, etc.

CAPACITÉ : comme il est inscrit sur les étiquettes du produit, il est possible de lier une (1) seule personne au point d'ancrage fixe pour les systèmes antichute. Le poids maximal autorisé (équipement et vêtements compris) pour chaque personne liée au point d'ancrage fixe est de 100 kg.

CHARGES APPLIQUÉES : la Figure 2 montre les directions de charge correctes (☺) et incorrectes (☹) pour le point d'ancrage fixe. Les charges doivent toujours être appliquées parallèlement aux faces de l'ancrage et jamais perpendiculairement. Le point d'ancrage fixe est conçu pour être utilisé avec des systèmes dont la charge d'arrêt limite est de 6 kN ou moins. La charge statique ne doit pas dépasser 272 kg. Il est possible de raccorder une seule personne au point d'ancrage fixe. Il est interdit à un seul utilisateur d'attacher deux systèmes d'EPP.

¹ **FORMATEUR DE PERSONNEL QUALIFIÉ :** individu qui, grâce à sa formation, ses connaissances et son expérience, est capable de former du personnel qualifié.

FACTEURS DE CHUTE : le point d'ancrage fixe peut être utilisé dans toutes les situations présentant les facteurs de chute : 0, 1, ou 2.

INSPECTION AVANT UTILISATION : avant chaque utilisation du point d'ancrage fixe, inspectez-le en suivant les instructions du Tableau 1.

INSTALLATION :

L'installation du point d'ancrage fixe doit être effectuée par des personnes qualifiées² habituées au point d'ancrage fixe. Tous les membres de l'équipe d'installation doivent lire et comprendre les instructions suivantes :

AVANT L'INSTALLATION : prévoyez à l'avance de quel type de système antichute vous aurez besoin. Considérez tous les facteurs qui affecteront votre sécurité pendant l'utilisation de ce matériel. Sélectionnez une structure appropriée suffisamment solide permettant de travailler en sécurité et capable de supporter la charge. Veuillez prendre les facteurs suivants en considération lorsque vous installez le point d'ancrage fixe :

- Hauteur au-dessus de la surface de travail
- Distance avant les premiers obstacles
- Dangers liés à l'espace de travail
- Type de système antichute désiré/nécessaire.
- EPP à utiliser dans ce système

IMPORTANT : pour toute question relative à l'utilisation, à l'entretien ou à la compatibilité de cet équipement avec votre usage, contactez Capital Safety. Il est interdit de modifier ou d'altérer le point d'ancrage fixe sans l'accord préalable de la part de Capital Safety.

AVERTISSEMENT : lorsque vous installez un point d'ancrage fixe en hauteur, utilisez un point d'ancrage de système antichute indépendant de l'ancrage que vous êtes en train d'installer.

STRUCTURE D'ANCRAGE : la structure à laquelle le point d'ancrage fixe est fixé doit être capable de soutenir une force de 12 kN dans la/les direction(s) de chargement prévue(s) (voir Figure 2). Chaque emplacement du point d'ancrage fixe doit être capable de supporter cette charge.

PLAN DE SURFACE D'ANCRAGE : si le point d'ancrage fixe devait être installé sur une surface qui n'est pas perpendiculaire au plan de marche de l'utilisateur (ex. : toit courbe ou incliné, rebord étroit au niveau de la tête) ou sur une surface courbe perpendiculaire au plan de marche de l'utilisateur (ex. : silo ou cuve), veuillez consulter Capital Safety avant l'installation.

HAUTEUR DE L'INSTALLATION : le point d'ancrage fixe peut être installé à n'importe quelle hauteur au-dessus de la surface de travail.

SYSTÈMES DE MAINTIEN : lorsque c'est possible, le système doit faire office de maintien (voir Figure 1). Les systèmes de maintien empêchent l'utilisateur d'atteindre des positions pouvant causer des chutes ainsi il est impossible de tomber en chute libre.

DISPOSITIF ANTICHUTE : lorsque le point d'ancrage fixe est utilisé comme dispositif antichute, il est important de prendre en considération les facteurs suivants au cours de l'installation :

- **Point d'ancrage** - Fixez les ancrages aussi haut que possible par rapport à l'utilisateur. Cela permet de minimiser les cas éventuels de chute libre et de secourir la victime plus rapidement, sans qu'elle ne soit trop stressée. Évitez de placer les ancrages à des emplacements augmentant les risques de chute libre. Les chutes en mouvement pendulaire se produisent lorsque le point de l'ancrage ne se trouve pas directement au-dessus du point de la chute. La force de la collision avec un objet lors d'une chute avec effet pendulaire peut occasionner des blessures graves ou la mort. Éviter le risque de chutes balancées en travaillant aussi près que possible du point d'ancrage.
- **Orientation de l'ancrage** - Le point d'ancrage fixe doit être correctement orienté pour pouvoir supporter la charge appliquée par le système (voir Figure 2).
- **Dangers** - L'espace de travail et la surface située en dessous doivent être exempts de tout danger (véhicules, clôtures, piétons, eau/produits chimiques, etc.) qui peut causer des blessures à l'utilisateur ou aux autres en cas de chute.

PRÉREQUIS EN MATIÈRE DE FIXATION : le point d'ancrage fixe est installé avec des boulons M12 :

- (Figure 3) Installez sur du métal avec des boulons en acier inoxydable M12 de classe A2 ou A4.
- (Figure 4) Pour les travaux de maçonnerie, utilisez un système d'ancrage adhésif M12 (Hilti HIT-HY 150 ou équivalent). Suivez les instructions du fabricant pour l'installation du système d'ancrage adhésif.
- Il est impératif d'utiliser un écrou de blocage et une rondelle pour toutes les installations. Tous les éléments de fixation doivent être serrés en respectant les recommandations de couple du fabricant.
- Après l'installation, attachez l'étiquette d'installation (comprise) au point d'ancrage fixe.

TEST DE CHARGE D'ÉPREUVE : après l'installation, il faut tester les capacités de charge du point d'ancrage fixe. À l'aide d'un testeur de tension, appliquez une charge de 5 kN pendant au moins 15 secondes, perpendiculairement au plan de surface. Il ne doit y avoir ni arrachage de la fixation ni déformation de l'œillet.

² **PERSONNE QUALIFIÉE** : personne, désignée par l'employeur comme responsable de la supervision, de la mise en œuvre et de la surveillance immédiate du plan de protection contre les chutes de l'employeur. Cette personne, grâce à sa formation et ses connaissances, est capable d'identifier, d'évaluer et de calculer les risques éventuels de chute. Enfin, cette personne est autorisée par l'employeur à prendre des mesures dans le cas où un problème surviendrait.

REMARQUE :

- *Capital Safety recommande fortement de fixer tous les ancrages en respectant les instructions d'utilisation du fabricant et les normes d'installation EN 795 Classe B et BS 7883 Classe B (Royaume-Uni uniquement).*
- *Il n'est pas nécessaire d'effectuer une charge d'épreuve pour les installations sur des structures d'acier comportant déjà un trou, à moins que l'acheteur ne le demande.*
- *Chaque point d'ancrage fixe doit supporter la charge d'épreuve de 500 kg sans que les fixations se déforment, se tordent ou glissent. N'importe laquelle de ces défaillances correspond à un échec du test. Toutes ces défaillances indiquent que le type de fixation testé ne peut pas être utilisé dans le type de bâtiment testé et doit être rejeté. Il faut consulter le fabricant de matériel de fixation afin de savoir quel matériel de fixation est approprié pour les matériaux de base concernés.*
- *Dans le cas d'une défaillance, il faut acquérir et retester un élément de fixation approprié. Tous les ancrages rejetés doivent être jetés et les trous qui ont servi au montage doivent être rebouchés afin qu'ils ne soient pas réutilisés.*
- *Après avoir testé les matériaux de la structure, examinez les fissures éventuelles et tout signe éventuel de défaillance. Il s'agit d'une inspection essentielle lorsque l'ancrage se situe au bord d'une structure. Lorsque les ancrages sont placés au bord d'une structure, veuillez vérifier auprès du fabricant qu'ils sont appropriés à cet usage.*

INSPECTION ET MAINTENANCE

Dans le tableau 1, vous trouverez la liste des procédés d'inspection et de maintenance ainsi que la fréquence à laquelle ils doivent être effectués. Seule une personne compétente ayant suivi une formation peut effectuer la maintenance². N'utilisez pas un point d'ancrage fixe en cours d'inspection/de maintenance. Veuillez utiliser un autre point d'ancrage et système antichute indépendant.

Tableau 1 : Inspection et maintenance

Fréquence		Inspection/Maintenance :	Action :
Avant chaque utilisation	Tous les ans		
X		Vérifiez que tous les composants du système de sécurité sont correctement et solidement fixés ensemble.	Refixez les composants qui ne sont pas fixés correctement. Consultez le mode d'emploi du fabricant pour connaître les prérequis en matière de fixation.
X	X	Inspectez le point d'ancrage fixe pour chercher des défauts dans le métal (corrosion excessive, usure, fissures, craquelures, torsions, etc.).	Si ces défauts sont suffisants pour réduire la force du point d'ancrage fixe, retirez l'ancrage du service et remplacez-le.
X	X	Inspectez les étiquettes sur le point d'ancrage fixe (voir photo de la page de couverture). Toutes les étiquettes doivent être présentes et lisibles.	Si les étiquettes sont absentes ou ne sont pas lisibles, retirez l'ancrage du service et remplacez-le.
X	X	Inspectez les éléments de fixation et les matériaux de la structure afin de détecter tous les dégâts pouvant éventuellement affecter les performances des ancrages. Inspectez l'espace de travail environnant afin de vous assurer qu'aucun élément dangereux ou obstacle ne puisse blesser l'utilisateur ou affecter les performances du système.	Remplacez les éléments de fixation endommagés. Réinstallez l'ancrage dans un nouveau trou si les matériaux de la structure sur laquelle l'ancrage a été fixé sont endommagés. Si l'ancrage a été installé dans une structure de maçonnerie avec un système d'ancrage adhésif, réinstallez dans un nouveau trou.
	X	Installation sur une structure de maçonnerie : tous les 12 mois, effectuez des tests de charge d'épreuve pour les ancrages installés sur des structures de maçonnerie (voir <i>Test de charge d'épreuve</i>). Serrez les éléments de fixation avec une clé dynamométrique en respectant les valeurs de couple de serrage conseillées par le fabricant. Les éléments présentant des défaillances doivent être remplacés.	
	X	Installations dans des trous percés dans des structures en métal : tous les 12 mois, inspectez visuellement les ancrages installés dans des structures en métal et cherchez des défauts dans le métal autour de l'ancrage. Serrez les éléments de fixation avec une clé dynamométrique en respectant les valeurs de couple de serrage conseillées par le fabricant. Les éléments présentant des défaillances doivent être remplacés.	

IMPORTANT : des conditions de travail extrêmes (conditions hostiles, utilisation prolongée, etc.) peuvent nécessiter des inspections plus fréquentes. Consigner les résultats de l'inspection dans la rubrique *Examen périodique et historique des réparations du « Mode d'emploi général d'utilisation et d'entretien » (5902392).*

IMPORTANT : si l'inspection avant utilisation crée un doute quelconque concernant l'état de l'équipement, celui-ci doit être retiré de l'utilisation. L'équipement ne doit pas être remis en service avant qu'une personne qualifiée ne confirme par écrit que c'est acceptable.

IMPORTANT : dans le cas d'une chute et donc du déploiement du système antichute, le point d'ancrage fixe doit être retiré de l'utilisation et inspecté par une personne qualifiée pour déterminer s'il peut être remis en service. Si la remise en service a lieu, cette action doit être consignée dans le registre d'inspection et d'entretien dans cette notice.

IMPORTANT : si le point d'ancrage fixe est à nouveau vendu en dehors du pays de destination d'origine, il est essentiel pour la sécurité de l'utilisateur que le revendeur fournisse des instructions d'utilisation, d'entretien, d'examen périodique et de réparation dans la langue du pays dans lequel il va être utilisé.

MARQUAGES (voir Figure 5)

(A)	Norme à laquelle l'ancrage est conforme.
(B)	Numéro de l'organisme notifié.
(C)	Lire les instructions d'utilisation.
(D)	Numéro de série.
(E)	Année de fabrication.
(F)	Nom de la marque.
(G)	Référence.

PRÓLOGO

Estas instrucciones describen la instalación y el uso del *punto de anclaje fijo* Protecta. Se deben utilizar como parte de un programa de formación de empleados.

IMPORTANTE: Antes de usar este equipo, anote la información de identificación del producto que se encuentra en las indicaciones del producto (que aparecen en la portada), en la "Hoja de identificación del equipo" en la parte posterior de "Instrucciones generales de uso y mantenimiento" (5902392).

OBJETIVO

DESCRIPCIÓN: El *punto de anclaje fijo* Protecta (Figura 1) es un anclaje de acero inoxidable clasificado para un usuario en dos direcciones. Se instala en las estructuras de acero con un perno clase M12 A2 o A4 o en mampostería con un dispositivo de sujeción de resina química M12.

APLICACIONES: La Figura 1 muestra las aplicaciones típicas. El punto de anclaje fijo se puede utilizar como punto de anclaje para los sistemas de detención de caídas (A), posicionamiento (B), suspensión (C) y retención de caídas (D).

USO

El punto de anclaje fijo es un anclaje de detención de caídas de un punto único probado y de conformidad con la norma EN795 Clase B. Puede servir como punto de anclaje para una eslinga. El punto de anclaje fijo otorga al usuario total libertad en la zona de trabajo, mientras esté bien conectado a un sistema de seguridad. Los usuarios deben sujetarse al *punto de anclaje fijo* por medio de una eslinga de absorción de energía conectada a un arnés de cuerpo entero.

ADVERTENCIA: Al conectarse al punto de anclaje fijo, tenga especial cuidado y observe que el conector esté totalmente cerrado y bloqueado. No conectar con seguridad el punto de anclaje fijo al responsable del rescate o la persona que se pretende rescatar puede causar lesiones graves o la muerte.

ADVERTENCIA: Trabajar en altura conlleva riesgos. Algunos de los riesgos incluyen, entre otros, los siguientes: caída, suspensión/suspensión prolongada, golpe contra un objeto y pérdida de conocimiento. En caso de una situación de detención de caída y/o de posterior rescate (emergencia), su seguridad puede verse afectada por algunas enfermedades. Las enfermedades identificadas como riesgosas para este tipo de actividad incluyen, entre otras, las siguientes: enfermedad coronaria, hipertensión, vértigo, epilepsia, dependencia de drogas o de alcohol, enfermedades psiquiátricas, funcionamiento impedido de algún miembro y problemas de equilibrio. Recomendamos que el responsable de la empresa o su médico determine si es apto para el uso normal y de emergencia de este equipo. Se debe contar con un plan de rescate para responder a cualquier emergencia que pueda surgir durante la tarea.

ADVERTENCIA: No utilice el punto de anclaje fijo para aplicaciones distintas de las que se tratan en estas instrucciones. El uso inadecuado puede causar lesiones o la muerte. Este producto forma parte de un sistema de protección contra caídas. Los instaladores y usuarios deben leer y seguir las instrucciones del fabricante en relación con cada componente del sistema. Si se altera o se hace un uso indebido de este equipo, o si no se siguen las instrucciones, se pueden producir lesiones graves e incluso la muerte.

FORMACIÓN: Es responsabilidad de los usuarios de este equipo comprender estas instrucciones y recibir formación sobre la instalación, el uso y el mantenimiento adecuados de este equipo. Los usuarios deben conocer las consecuencias de una instalación o un uso inapropiado de este equipo. Este manual de instrucciones no sirve como sustituto de un programa de formación. Un formador competente¹ debe proporcionar formación a los usuarios de forma periódica para garantizar la competencia. Póngase en contacto con Capital Safety para recibir información acerca de las clases de formación o si tiene alguna duda sobre el uso de este equipo.

EQUIPO DE PROTECCIÓN INDIVIDUAL (PERSONAL PROTECTIVE EQUIPMENT, PPE): Todos los tipos de PPE de retención o detención de caídas se pueden acoplar al punto de anclaje fijo. El PPE que se utiliza con el punto de anclaje fijo debe cumplir con las normas EN relevantes y debe llevar la marca de certificación CE donde corresponda. El punto de anclaje fijo se puede utilizar con otros equipos de detención de caídas, como los sistemas de bloque retráctil con carrete de inercia o agarre de cabo. Consulte las instrucciones del fabricante para conocer las restricciones de orientación. Con los sistemas de protección contra caídas, solo puede utilizarse un arnés de cuerpo entero.

ADVERTENCIA: Todos los equipos de protección individual (PPE) se deben utilizar y controlar de conformidad con las instrucciones de uso del fabricante. Consulte siempre al fabricante para determinar la idoneidad de su uso con el punto de anclaje fijo con respecto a los conectores, distancias de caídas, bordes afilados, etc.

CAPACIDAD: Como se señala en las indicaciones del producto, el número máximo de personas que se pueden conectar al punto de anclaje fijo con fines de detención de caídas es de un (1) usuario. El peso máximo permitido (incluidos el equipo y la ropa) para la persona conectada al punto de anclaje fijo es de 100 kg.

CARGAS APLICADAS: La Figura 2 muestra las direcciones de la carga correctas (☺) e incorrectas (☹) para el punto de anclaje fijo. Las cargas se harán siempre en direcciones paralelas a la cara del anclaje y nunca perpendiculares a la cara del anclaje. El punto de anclaje fijo está diseñado para su uso con sistemas que limitan las cargas aplicadas de detención a 6 kN o menos. Las cargas estáticas no deben exceder los 272 kg. Solo se puede acoplar una persona al punto de anclaje fijo. Está prohibida la conexión de dos sistemas de PPE para un solo usuario.

¹ **FORMADOR COMPETENTE:** Una persona que, por su formación, conocimiento y experiencia, puede llevar a cabo la formación de personas competentes.

FACTORES DE CAÍDA: El punto de anclaje fijo se puede utilizar en todas las situaciones de factores de caída: 0, 1 o 2.

INSPECCIONES PREVIAS AL USO: Antes de cada uso del punto de anclaje fijo, inspeccione el equipo siguiendo las instrucciones en la Tabla 1.

INSTALACIÓN

La instalación del punto de anclaje fijo debe ser realizada por personas competentes² familiarizadas con el equipo. Las siguientes pautas deben ser leídas y comprendidas por todos los miembros del equipo de instalación:

ANTES DE LA INSTALACIÓN: Planifique su sistema de protección contra caídas. Tenga en cuenta todos los factores que puedan afectar la seguridad durante el uso del equipo. Seleccione una estructura de resistencia adecuada que ofrezca seguridad global y fuerza de carga adecuada. La instalación del punto de anclaje fijo debe tener en cuenta las siguientes consideraciones:

- Altura sobre la superficie de trabajo
- Espacio hasta los primeros obstáculos
- Peligros en el área de trabajo
- Tipo de sistema de protección contra caídas deseado o necesario.
- PPE para usar en el sistema

IMPORTANTE: Si tiene alguna duda sobre el uso, el cuidado o la conveniencia de este equipo para su aplicación, póngase en contacto con Capital Safety. No se permite la modificación y alteración del punto de anclaje fijo sin el acuerdo previo de Capital Safety.

ADVERTENCIA: Cuando se trabaja en altura para instalar el punto de anclaje fijo, utilice una protección contra caídas que incorpore un anclaje independiente del anclaje que está instalando.

ESTRUCTURA DEL ANCLAJE: La estructura a la que se monta el punto de anclaje fijo debe poder sostener 12 kN de fuerza en las direcciones previstas de carga (ver Figura 2). Cada ubicación del punto de anclaje fijo debe poder sostener esta carga.

PLANO DE LA SUPERFICIE DE ANCLAJE: Si el punto de anclaje fijo se va a instalar sobre una superficie que no es perpendicular al nivel de tránsito del usuario (por ejemplo, curvas o techo inclinado, cornisa estrecha a la altura de la cabeza), o una superficie curva perpendicular al nivel de tránsito del usuario (por ejemplo, silo o tina), consulte a Capital Safety antes de la instalación.

ALTURA DE LA INSTALACIÓN: El punto de anclaje fijo se puede instalar a cualquier altura práctica por encima de la superficie de trabajo.

SISTEMAS DE RETENCIÓN: Siempre que sea posible, las instalaciones se deben diseñar como una aplicación de retención (ver Figura 1). Los sistemas de retención evitan que el usuario llegue a una posición donde puede ocurrir una caída; por lo tanto, no es posible la caída libre.

SISTEMAS DE DETENCIÓN DE CAÍDAS: Cuando el punto de anclaje fijo se utiliza en un sistema de detención de caídas, es importante tener en cuenta los siguientes factores durante el diseño:

- **Punto de anclaje:** monte los anclajes lo más alto posible en relación con el usuario. Esto minimiza la caída libre posible, haciendo más fácil el rescate y menos preocupante para la víctima. Evite lugares de anclaje que aumenten la probabilidad de caídas por balanceo. Las caídas por balanceo ocurren cuando el punto de anclaje no se encuentra directamente encima del punto donde ocurre la caída. La fuerza del golpe contra un objeto en una caída por balanceo puede causar lesiones graves, incluso la muerte. Minimice las caídas por balanceo trabajando lo más cerca posible del punto de anclaje.
- **Orientación del anclaje:** el punto de anclaje fijo debe estar correctamente orientado para soportar las cargas aplicadas por el sistema (ver Figura 2).
- **Peligros:** el área de trabajo y la vía debajo deben estar libres de cualquier peligro (vehículos, vallas, balcones, peatones, agua/productos químicos, etc.) que pudiera herir al usuario u otras personas si se produce una caída.

REQUISITOS DE FIJACIÓN: El punto de anclaje fijo se instala con dispositivos de fijación M12:

- (Figura 3) Instale en metal con un perno de acero inoxidable clase M12 A2 o A4.
- (Figura 4) Instale sobre mampostería con un sistema de anclaje adhesivo M12 (Hilti HIT-HY 150 o equivalente). Siga las instrucciones del fabricante para instalar el sistema de anclaje adhesivo.
- Se deben utilizar una tuerca de cierre y una arandela en todas las instalaciones. Todos los dispositivos de fijación se deben ajustar según las recomendaciones de apriete del fabricante.
- Coloque la etiqueta de instalación que se incluye con el punto de anclaje fijo después de la instalación.

EVALUACIÓN DE LAS CARGAS DE PRUEBA: Después de la instalación, el punto de anclaje fijo debe cargarse a modo de prueba. Con un tensómetro, aplique una carga de 5 kN por lo menos durante 15 segundos en una dirección perpendicular a la superficie de contacto. La fijación no debe desprenderse y la anilla no debe deformarse.

² **PERSONA COMPETENTE:** Una persona designada por el empleador que se encarga de la supervisión inmediata, implementación y seguimiento del programa de protección contra caídas del empleador y que, a través de la formación y el conocimiento, puede identificar, evaluar y controlar los riesgos de caídas actuales y potenciales y que cuenta con la autorización del empleador para tomar medidas correctivas inmediatas en relación con dichos riesgos.

NOTA:

- *Capital Safety recomienda encarecidamente que todos los anclajes se instalen de acuerdo con las instrucciones de uso del fabricante y con los requisitos de instalación de la norma EN 795 Clase B y BS 7883 Clase B (solo en el Reino Unido).*
- *La carga de prueba no es necesaria para las instalaciones a través de los orificios en estructuras de acero, a menos que el comprador lo requiera.*
- *Cada punto de anclaje fijo debe soportar la carga de prueba de 500 kg sin mostrar ninguna deformación, rendimiento permanente o deslizamiento del dispositivo de fijación. Cualquiera de estos hechos constituye una irregularidad. Cualquier irregularidad indica que el tipo de dispositivo de fijación de prueba no es adecuado para su uso en el material de construcción de prueba y debe ser desestimado. Se debe consultar al fabricante de los dispositivos de fijación para que recomiende un dispositivo de fijación adecuado para el material base.*
- *En el caso de una irregularidad, se debe adquirir un dispositivo de fijación adecuado y probarse de nuevo. Se deben desechar los anclajes desestimados y se deben tapar sus orificios de montaje para evitar su uso posterior.*
- *Después de probar el material estructural, es necesario examinar cuidadosamente en busca de grietas o cualquier otro signo de irregularidad. Esto es esencial cuando un anclaje está cerca del borde del material estructural. Para los anclajes que están cerca del borde de una estructura, se debe verificar la idoneidad del dispositivo de fijación con el fabricante.*

INSPECCIÓN Y SERVICIO

La Tabla 1 enumera los procesos de inspección y servicio y sus frecuencias. Los servicios solo deben ser llevados a cabo por una persona competente² y formada. No utilice el punto de anclaje fijo que está bajo inspección o en servicio. Se debe utilizar un punto de anclaje diferente y un sistema de protección contra caídas independiente.

Tabla 1: inspección y servicio

Frecuencia		Inspección/servicio:	Acción:
Antes de cada uso	Anualmente		
X		Compruebe que todos los componentes del sistema de seguridad acoplado estén conectados entre sí de forma correcta y segura.	Vuelva a conectar los componentes que no están correctamente conectados. Consulte las instrucciones para el usuario del fabricante para conocer los requisitos de conexión.
X	X	Inspeccione el punto de anclaje fijo en busca de defectos en el metal (corrosión excesiva, desgaste, fracturas, grietas, curvas, etc.).	Si existen muchos defectos que puedan reducir la resistencia del punto de anclaje fijo, quite el anclaje de servicio y sustitúyalo.
X	X	Inspeccione las indicaciones en el punto de anclaje fijo (ver foto de la portada). Todas las indicaciones deben estar presentes y ser legibles.	Si las indicaciones no están presentes o son ilegibles, quite el anclaje de servicio y sustitúyalo.
X	X	Inspeccione los dispositivos de fijación y el material estructural en busca de daños que puedan afectar la fuerza de retención de los anclajes. Inspeccione el área de trabajo para garantizar que no existan peligros u obstáculos que puedan herir al usuario o afectar el rendimiento del sistema.	Sustituya los dispositivos de fijación dañados. Vuelva a instalar el anclaje en un orificio nuevo si el material estructural que se encuentra alrededor del orificio de montaje está dañado. Si el anclaje está instalado en mampostería con un sistema de anclaje adhesivo, vuelva a instalar en un orificio nuevo.
	X	Instalaciones en mampostería: Cada 12 meses, pruebe los anclajes de prueba de carga instalados en mampostería (ver <i>Evaluación de las cargas de prueba</i>). Apriete los dispositivos de fijación con una llave de apriete al par recomendado por el fabricante. Los artículos defectuosos deben sustituirse.	
	X	Instalaciones a través de orificios en metal: Cada 12 meses, inspeccione de forma visual las instalaciones de anclaje a través de los orificios en metal en busca de defectos en las partes metálicas circundantes. Apriete los dispositivos de fijación con una llave de apriete al par recomendado por el fabricante. Los artículos defectuosos deben sustituirse.	

IMPORTANTE: Si el equipo se expone a condiciones de trabajo extremas (condiciones climáticas duras, uso prolongado, etc.), es posible que deba realizar inspecciones con más frecuencia. Anote la fecha de inspección/servicio y los resultados en el "Historial de reparaciones e inspecciones periódicas" de las "Instrucciones generales de uso y mantenimiento" (5902392).

IMPORTANTE: El equipo debe retirarse del servicio si la inspección previa al uso genera dudas acerca del estado del equipo. El equipo no debe volver al servicio hasta que una persona competente confirme por escrito que es aceptable que así sea.

IMPORTANTE: Si se produce una caída y la posterior detención de la caída, el punto de anclaje fijo debe retirarse del servicio y debe ser inspeccionado por una persona competente para determinar si se puede volver a utilizar. Si vuelve al servicio, se debe registrar esta acción en el Registro de inspección y mantenimiento incluido en estas instrucciones.

IMPORTANTE: Es esencial para la seguridad del usuario que, si se revende este producto fuera del país de destino original, el revendedor proporcione las instrucciones de uso, mantenimiento, inspección periódica y reparación en el idioma del país en el que se va a utilizar.

INDICACIONES (ver Figura 5)

(A)	Norma que cumple el anclaje.
(B)	Nombre del organismo notificado.
(C)	Leer instrucciones de uso.
(D)	Número de serie.
(E)	Año de fabricación.
(F)	Nombre de la marca.
(G)	Número de pieza.

VOORWOORD

Dit instructieboekje beschrijft de installatie en het gebruik van het *vaste verankeringspunt* Proteca. Dit boekje is bedoeld als onderdeel van een trainingsprogramma voor medewerkers.

BELANGRIJK: Voordat u deze apparatuur gaat gebruiken, dient u de productidentificatiegegevens vermeld op het productlabel (weergegeven in de foto op het voorblad) te noteren op het identificatieblad achteraan in de handleiding 'Algemene gebruiks- en onderhoudsinstructies' (5902392).

DOEL

BESCHRIJVING: Het *vaste verankeringspunt* Proteca (afbeelding 1) is een roestvrijstalen verankeringspunt goedgekeurd voor één gebruiker in twee richtingen. Het kan worden verankerd in stalen structuren met een bout van klasse M12 A2 of A4, of in metselwerk met een kunstharsbevestigingsklasse M12.

TOEPASSINGEN: Afbeelding 1 illustreert standaardtoepassingen. Het *vaste verankeringspunt* kan worden gebruikt als een verankeringspunt in systemen voor valstop (A), positionering (B), ophanging (C) en beperking (D).

GEBRUIK

Het *vaste verankeringspunt* is een enkelvoudige verankeringspunt voor valstop, dat getest is volgens en in overeenstemming is met EN795 klasse B. Het kan dienen als verankeringspunt(en) voor een vallijn. Het *vaste verankeringspunt* biedt de gebruiker volledige vrijheid in het werkgebied, terwijl hij stevig verbonden is met een veiligheidssysteem. Gebruikers dienen zich met een energieabsorberende vallijn die is bevestigd aan een volledig lichaamsharnas te bevestigen aan het *vaste verankeringspunt*.

WAARSCHUWING: Wanneer u zich verbindt met het *vaste verankeringspunt*, moet u dit voorzichtig doen en controleren of het verbindingselement volledig gesloten en vergrendeld is. Als geen veilige verbinding met het *vaste verankeringspunt* kan worden gelegd voor de redder of voor de te redden persoon, kan dit leiden tot ernstig letsel of de dood.

WAARSCHUWING: Werken op hoogte houdt inherente risico's in. Enkele van deze risico's zijn: vallen, blijven hangen/langdurig blijven hangen, stoten tegen voorwerpen en bewusteloosheid. In geval van een valstop en/of daaropvolgende reddingssituatie (of noodsituatie) kunnen sommige persoonlijke medische condities invloed hebben op uw veiligheid. Enkele medische condities die zijn geïdentificeerd als risicohoudend voor dit type activiteit: hartaandoeningen, hoge bloeddruk, hoogtevrees, epilepsie, drugs- of alcoholverslaving, psychiatrische ziektes, beperkte werking van de ledematen en evenwichtsstoornissen. Wij adviseren dat uw werkgever/arts bepaalt of u geschikt bent om in normale en noodgevallen deze apparatuur te gebruiken. Er moet een reddingsplan beschikbaar zijn voor alle noodgevallen die tijdens de werkzaamheden kunnen optreden.

WAARSCHUWING: Gebruik het *vaste verankeringspunt* nooit voor andere toepassingen dan deze beschreven in dit instructieboekje. Oneigenlijk gebruik kan leiden tot letsel of de dood. Dit product vormt een onderdeel van een valbeschermingssysteem. De installateurs en gebruikers moeten de instructies van de fabrikant voor elk component van het systeem lezen en opvolgen. Deze apparatuur wijzigen, er misbruik van maken of zich niet aan deze instructies houden, kan ernstig letsel of de dood tot gevolg hebben.

OPLEIDING: Het is de verantwoordelijkheid van de gebruikers van deze uitrusting om ervoor te zorgen dat ze deze instructies begrijpen en zijn getraind in het correct installeren, gebruiken en onderhouden van deze uitrusting. Gebruikers moeten zich bewust zijn van de consequenties die een onjuiste installatie of onjuist gebruik kunnen hebben. Deze handleiding is geen vervanging voor een opleidingsprogramma. Er moet op regelmatige basis training door een trainer van deskundigen¹ worden gevolgd om ervoor te zorgen dat de kennis van de gebruikers actueel blijft. Neem contact op met Capital Safety voor informatie over trainingen, of als u vragen hebt over het gebruik van deze apparatuur.

PERSOONLIJKE BESCHERMINGSMIDDELEN (PBM): Alle soorten persoonlijke beschermingsmiddelen voor valstop of valbeperking kunnen worden bevestigd aan het *vaste verankeringspunt*. Persoonlijke beschermingsmiddelen die met het *vaste verankeringspunt* worden gebruikt, moeten getest zijn volgens de relevante EN-normen en moeten waar van toepassing voorzien zijn van de CE-markering. Overige uitrusting voor valstop, zoals intrekbare inertiehaspelblokken en lijngrijpers kunnen worden gebruikt met het *vaste verankeringspunt*. Raadpleeg de instructies van de fabrikant over beperkingen wat betreft richting. Een volledig lichaamsharnas is het enige acceptabele lichaamsomvattende middel voor gebruik met een valstopstelsel.

WAARSCHUWING: Alle persoonlijke beschermingsmiddelen moeten worden gebruikt en geïnspecteerd in overeenstemming met de gebruiksaanwijzingen van de fabrikant. Raadpleeg altijd de fabrikant om te bepalen of het *vaste verankeringspunt* geschikt is voor gebruik wat betreft aansluitingen, valspeeling, scherpe randen etc.

CAPACITEIT: Zoals vermeld op het product zelf, is het maximale aantal personen dat voor valstopdoeleinden kan worden verbonden met het *vaste verankeringspunt* één (1) gebruiker. Het maximaal toegestane gewicht (inclusief uitrusting en kleding) voor de persoon die is verbonden met het *vaste verankeringspunt* is 100 kg.

TOEGEPASTE LASTEN: Afbeelding 2 toont de correcte (☺) en niet-correcte (☹) laadrichtingen voor het *vaste verankeringspunt*. De lasten moeten altijd worden toegepast in een richting die parallel loopt met de voorkant van de verankeringspunt en mogen nooit loodrecht op de voorkant van de verankeringspunt worden toegepast. Het *vaste verankeringspunt* is bedoeld voor gebruik met systemen die de toegepaste valstoplast beperken tot 6 kN of lager. Statische lasten mogen niet zwaarder dan 272 kg zijn. Er kan slechts één persoon worden verbonden met het *vaste verankeringspunt*. Het verbinden van twee veiligheidsuitrustingen door één enkele gebruiker is verboden.

¹ **TRAINER VAN DESKUNDIGEN:** Een persoon die door zijn opleiding, kennis en ervaring in staat is om training te geven aan deskundigen.

VALFACTOREN: Het vaste verankeringspunt kan worden gebruikt in alle situaties met een valfactor: 0, 1 of 2.

INSPECTIE VÓÓR GEBRUIK: Telkens voordat u het vaste verankeringspunt gebruikt, moet u het vaste verankeringspunt inspecteren volgens de instructies in tabel 1.

INSTALLATIE

De installatie van het vaste verankeringspunt moet worden uitgevoerd door een deskundige/deskundigen² die bekend is/zijn met het vaste verankeringspunt. De volgende richtlijnen moeten worden gelezen en begrepen door alle leden van het installatieteam:

VÓÓR DE INSTALLATIE: Plan uw valbeschermingssysteem. Neem hierbij alle factoren in overweging die uw veiligheid tijdens het gebruik kunnen beïnvloeden. Kies een structuur van voldoende sterkte die een globale veiligheid en geschikte lastkracht biedt. Bij het installeren van het vaste verankeringspunt moeten de volgende factoren in overweging worden genomen:

- Hoogte boven het werkoppervlak
- Afstand tot de eerste obstakels
- Gevaren op de werkplek
- Gewenst/benodigd type valbeschermingssysteem
- Persoonlijke beschermingsmiddelen die zullen worden gebruikt in het systeem

BELANGRIJK: Als u vragen hebt over het gebruik, de verzorging of de geschiktheid van deze apparatuur voor gebruik in uw toepassing, kunt u contact opnemen met Capital Safety. Wijzigingen en aanpassingen aan het vaste verankeringspunt zijn niet toegestaan zonder de voorafgaande toestemming van Capital Safety.

WAARSCHUWING: Bij het installeren van het vaste verankeringspunt op een hoogte, moet u valbescherming gebruiken met een verankerung die onafhankelijk is van de verankerung die u installeert.

VERANKERINGSSTRUCTUUR: De structuur waarop het vaste verankeringspunt is gemonteerd moet in staat zijn een kracht van 12 kN te dragen in de verwachte richting(en) van de last (zie afbeelding 2). De locatie van elk vaste verankeringspunt moet deze last kunnen dragen.

VLAK VAN HET VERANKERINGSOPPERVLAK: Als het vaste verankeringspunt moet worden gemonteerd op een oppervlak dat niet loodrecht op het wandelniveau van de gebruiker staat (bv. een gebogen of hellend dak, een smalle richel op hoofdhoogte) of op een gebogen oppervlak dat loodrecht op het wandelniveau van de gebruiker staat (bv. een silo of een kuip), raadpleeg dan Capital Safety vóór u de verankerung installeert.

MONTAGEHOOGTE: Het vaste verankeringspunt kan op elke praktische hoogte boven het werkoppervlak worden geïnstalleerd.

VALBEPERKINGSSYSTEMEN: Waar mogelijk moeten de installaties worden ontworpen als een valbeperkingstoepassing (zie afbeelding 1). Valbeperkingssystemen voorkomen dat de gebruiker een positie bereikt waarin zich een val kan voordoen, daardoor is er geen vrije val mogelijk.

VALSTOPSYSTEMEN: Als het vaste verankeringspunt wordt gebruikt in een valstopsysteem, is het belangrijk om in de ontwerpfase rekening te houden met de volgende factoren:

- **Verankeringspunt:** Monteer de ankers zo hoog mogelijk ten opzichte van de gebruiker. Dit minimaliseert de kans op een vrije val, maakt het redden gemakkelijker en is minder benauwend voor het slachtoffer. Vermijd verankeringsplekken die de kans op scheef vallen verhogen. Scheef vallen ontstaat wanneer het verankeringspunt niet recht boven het punt ligt waar de val optreedt. De kracht waarmee tegen een voorwerp wordt gestoten bij scheef vallen, kan ernstig letsel of de dood veroorzaken. Beperk scheef vallen tot een minimum door zo veel mogelijk recht onder het verankeringspunt te werken.
- **Richting van het anker:** Het vaste verankeringspunt moet zo worden gericht, dat het de lasten van het systeem kan dragen (zie afbeelding 2).
- **Gevaren:** De werkplek en het pad eronder moet vrij van gevaren zijn (voertuigen, afschuttingen, balkons, voetgangers, water/chemische stoffen etc.) die de gebruiker of anderen kunnen verwonden bij een val.

VEREISTEN VOOR DE BEVESTIGINGSELEMENTEN: Het vaste verankeringspunt wordt geïnstalleerd met M12 bouten:

- (Afbeelding 3) Installeer de verankerung in metaal met behulp van een roestvrijstalen M12 bout van klasse A2 of A4.
- (Afbeelding 4) Installeer de verankerung in metselwerk met behulp van een kleefstofgebaseerd M12 verankerungssysteem (Hilti HIT-HY 150 of gelijkwaardig). Volg de instructies van de fabrikant op voor het installeren van het kleefstofgebaseerde verankerungssysteem.
- In alle installaties moeten een borgmoer en borgring worden gebruikt. Alle bevestigingen moeten worden vastgedraaid volgens de aanbevelingen van de bouten wat betreft draaimoment.
- Bevestig na installatie het meegeleverde installatielabel op het vaste verankeringspunt.

TESTEN MET TESTBELASTING: Na de installatie moet het vaste verankeringspunt worden getest met een testbelasting. Breng met behulp van een spanningstester een last van 5 kN aan gedurende minimaal 15 seconden, en dit in loodrechte richting op het pasvlak. De bevestiging mag niet los raken en het oog mag niet vervormen.

² **DESKUNDIGE:** Een persoon die door zijn werkgever is aangeduid als verantwoordelijke voor de directe supervisie, uitvoering en opvolging van het door de werkgever beheerde programma voor valbescherming die op basis van zijn opleiding en kennis in staat is de bestaande en potentiële valrisico's te identificeren, te evalueren en aan te pakken, en die van de werkgever de bevoegdheid heeft gekregen om onmiddellijk corrigerende maatregelen te nemen in verband met dergelijke risico's.

LET OP:

- *Capital Safety raadt nadrukkelijk aan om alle ankers te monteren in overeenstemming met de gebruiksaanwijzingen van de fabrikant en met de installatievereisten van EN 795 klasse B en BS 7883 klasse B (alleen GB).*
- *Testbelasting is niet vereist voor installatie door openingen in stalen structuren, tenzij dit wordt vereist door de koper.*
- *Elk vaste verankeringspunt moet 500 kg testbelasting kunnen dragen zonder vervorming, permanente rek of wegschuiven van de bevestigingsbout. Al deze situaties worden beschouwd als een defect. Elke defect duidt erop dat het geteste type bevestigingsbout niet geschikt is voor gebruik in het geteste bouw materiaal en dat deze moet worden afgekeurd. De fabrikant van de bevestigingsbouten moet worden geraadpleegd over een geschikte bevestigingsbout voor het basismateriaal.*
- *In geval van een defect moet een geschikte bevestigingsbout worden gekocht en moet de test opnieuw worden uitgevoerd. Alle defecte ankers moeten weggegooid worden en de bevestigingsgaten moeten dichtgemaakt worden, om te voorkomen dat ze later nogmaals gebruikt worden.*
- *Na de test moet het structureel materiaal zorgvuldig worden geïnspecteerd op barsten of andere tekenen van defecten. Dit is van cruciaal belang in situaties waarbij een verankeringspunt dicht tegen de rand van het structureel materiaal is geïnstalleerd. Voor verankeringspunten die zijn geïnstalleerd nabij de rand van een structuur, moet de fabrikant worden geraadpleegd over de geschiktheid van de bevestigingsbout.*

INSPECTIE EN ONDERHOUD

Tabel 1 beschrijft de inspectie- en onderhoudsprocessen en de frequentie ervan. Het onderhoud mag enkel worden uitgevoerd door een opgeleide deskundige². Gebruik geen vast verankeringspunt terwijl het onder inspectie/in onderhoud is. Gebruik een ander verankeringspunt en een onafhankelijke valbeveiliging.

Tabel 1: Inspectie & onderhoud

Frequentie		Inspectie/onderhoud:	Actie:
Vóór elk gebruik	Elk jaar		
X		Controleer of alle componenten van het verbonden veiligheidssysteem stevig en correct met elkaar zijn verbonden.	Verbind opnieuw componenten die niet correct zijn aangesloten. Raadpleeg de gebruikershandleiding voor de aansluitingsvereisten.
X	X	Controleer het vaste verankeringspunt op defecten in het metaal (overmatige corrosie, slijtage, scheuren, barsten, vervorming etc.).	Als de defecten van dergelijke omvang zijn dat ze de sterkte van het vaste verankeringspunt aantasten, neem dan de verankeringspunt uit bedrijf en vervang hem.
X	X	Controleer de markeringen op het vaste verankeringspunt (zie foto op de voorpagina). Alle markeringen moeten aanwezig en leesbaar zijn.	Als de markeringen niet aanwezig of niet leesbaar zijn, neem dan het verankeringspunt uit bedrijf en vervang het.
X	X	Controleer de bevestigingsbout(en) en het structurele materiaal op schade die de houddracht van de verankeringspunten kan aantasten. Controleer het omringende werkgebied om ervoor te zorgen dat er geen gevaren of obstructies aanwezig zijn die de gebruiker kunnen verwonden of die de prestatie van het systeem kunnen aantasten.	Vervang beschadigde bevestigingsbouten. Installeer de verankeringspunt in een nieuw gat als het structureel materiaal rond het montagegat beschadigd is. Wanneer de verankeringspunt is geïnstalleerd in metselwerk met behulp van een op kleefstof gebaseerd verankeringspunt, installeer de verankeringspunt dan in een nieuw gat.
	X	Installaties in metselwerk: Om de 12 maanden moeten verankeringspunten die zijn geïnstalleerd in het metselwerk worden getest met een testbelasting (zie <i>Testen met testbelasting</i>). Draai de bevestigingsbouten vast met een torsiesleutel tot het door de fabrikant aanbevolen draaimoment. Defecte producten moeten worden vervangen.	
	X	Installaties door openingen in metaal: Voer om de 12 maanden een visuele controle uit van installaties door openingen in metaal op defecten in het omringende metaalwerk. Draai de bevestigingsbouten vast met een torsiesleutel tot het door de fabrikant aanbevolen draaimoment. Defecte producten moeten worden vervangen.	

BELANGRIJK: Bij extreme werkomstandigheden (barre weersomstandigheden, langdurig gebruik, etc.) kan een frequentere inspectie nodig zijn. Noteer de datum en resultaten van elke inspectie in de rubriek 'Overzicht van periodiek onderzoek en reparaties' in de handleiding 'Algemene gebruiks- en onderhoudsinstructies' (5902392).

BELANGRIJK: Als er naar aanleiding van de inspectie voorafgaand aan het gebruik twijfels zijn over de conditie van de uitrusting, moet de uitrusting buiten gebruik worden gesteld. De uitrusting mag niet in gebruik worden genomen voordat een deskundige schriftelijk heeft bevestigd dat hij weer in gebruik mag worden genomen.

BELANGRIJK: Na het optreden van een val en de daaropvolgende valstop, moet het vaste verankeringspunt buiten gebruik worden gesteld en moet het worden geïnspecteerd door een deskundige die bepaald of het weer in gebruik kan worden genomen. Als het weer in gebruik wordt genomen, moet deze actie worden vastgelegd in het logboek voor inspectie en onderhoud in deze handleiding.

BELANGRIJK: Het is voor de veiligheid van de gebruiker van essentieel belang dat als dit vaste verankeringspunt wordt doorverkocht buiten het oorspronkelijke land van bestemming, de doorverkoper de gebruiksaanwijzing, de instructies voor onderhoud, voor periodieke inspectie en voor reparaties in de taal van het land waarin het gebruikt gaat worden, bijlevert.

MARKERINGEN (zie afbeelding 5)

(A)	Standaard waaraan de verankeringspunt voldoet.
(B)	Keuringsinstituutnummer.
(C)	Lees de gebruiksinstructies.
(D)	Serienummer.
(E)	Fabricagejaar.
(F)	Merknaam.
(G)	Artikelnummer.

WSTĘP:

Niniejsza instrukcja opisuje montaż oraz użytkowanie *kotwionego urządzenia mocującego* Protecta. Instrukcja powinna być wykorzystywana w szkoleniach pracowników.

WAŻNE: *Przed użyciem tego urządzenia należy zapisać wszystkie informacje identyfikacyjne produktu z oznaczeń produktu (przedstawionych na zdjęciu na okładce) w „Arkuszu identyfikacyjnym sprzętu” na tylnej stronie „Ogólnych instrukcji użytkowania i konserwacji” (5902392).*

PRZEZNACZENIE

OPIS: *Kotwione urządzenie mocujące* Protecta (Rysunek 1) to urządzenie mocujące wykonane ze stali nierdzewnej przeznaczone dla jednego użytkownika do użytku dwukierunkowego. Urządzenie można montować w konstrukcjach stalowych przy pomocy śruby M12 ze stali nierdzewnej A2 lub A4 lub w murze przy pomocy kotwy składającej się ze śruby M12 i żywicy chemicznej.

ZASTOSOWANIA: Rysunek 1 przedstawia typowe zastosowania. *Kotwione urządzenie mocujące* może być stosowane jako urządzenie mocujące systemów zabezpieczających przed upadkiem (A), ustalających pozycję (B), zawieszenia (C) oraz ograniczających obszar roboczy w celu niedopuszczenia do upadku (D).

UŻYCIE

Kotwione urządzenie mocujące to atestowane, punktowe urządzenie mocujące zabezpieczające przed upadkiem, spełniające normę EN795 klasa B, które może służyć jako urządzenie mocujące linki bezpieczeństwa. *Kotwione urządzenie mocujące* gwarantuje użytkownikom pełną swobodę w miejscu pracy, zapewniając jednocześnie połączenie z systemem zabezpieczającym. Użytkownicy powinni podczepiać się do *kotwionego urządzenia mocującego* przy pomocy amortyzującej linki bezpieczeństwa podłączonej do pełnej uprząży.

OSTRZEŻENIE: *Podczas podłączania do kotwionego urządzenia mocującego należy zachować ostrożność i dopilnować, aby łącznik był całkowicie zamknięty i zablokowany. Nieprawidłowe podłączenie ratownika lub osoby ratowanej do kotwionego urządzenia mocującego może spowodować poważne urazy ciała lub śmierć.*

OSTRZEŻENIE: *Praca na wysokości zawsze niesie ze sobą zagrożenie. Zagrożenia obejmują m.in.: upadek, zawieszenie lub długotrwałe zawieszenie, zderzenie z obiektami i utratę przytomności. W przypadku zahamowania upadku i/lub późniejszej akcji ratunkowej (nagłego wypadku), na bezpieczeństwo użytkownika mogą mieć wpływ pewne indywidualne uwarunkowania medyczne. Do uwarunkowań medycznych uznanych za zagrożenie przy tego typu działaniach należą m.in.: choroby serca, wysokie ciśnienie krwi, zawroty głowy, padaczka, uzależnienie od alkoholu lub narkotyków, choroby psychiczne, upośledzenia ruchowe kończyn oraz problemy z równowagą. Zalecamy, aby pracodawca/lekarz określił, czy stan zdrowia pracownika pozwala mu na obsługiwanie sprzętu w warunkach normalnych i w nagłych wypadkach. Należy bezwzględnie opracować plan ratunkowy uwzględniający wszelkiego rodzaju wypadki, jakie mogą mieć miejsce podczas pracy.*

OSTRZEŻENIE: *Kotwionego urządzenia mocującego nie należy stosować do innych celów niż określone w niniejszej instrukcji. Nieprawidłowe użytkowanie może powodować urazy ciała bądź śmierć. Ten produkt jest częścią systemu ochrony przed upadkiem. Instalatorzy i użytkownicy muszą przeczytać instrukcje producentów wszystkich części systemu i stosować je. Dokonywanie modyfikacji sprzętu lub jego niewłaściwe użytkowanie, a także niezastosowanie się do instrukcji może spowodować poważne obrażenia ciała lub śmierć.*

SZKOLENIE: Obowiązkiem użytkowników tego sprzętu jest zrozumienie tych instrukcji i odbycie szkolenia z zakresu prawidłowej instalacji, użytkowania i konserwacji sprzętu. Użytkownicy muszą znać konsekwencje niewłaściwej instalacji i niewłaściwego użytkowania tego sprzętu. Niniejsza instrukcja nie zastępuje programu szkoleniowego. Regularnie należy odbywać szkolenia prowadzone przez kompetentnych instruktorów¹ celem zapewnienia biegłości obsługi systemu przez użytkowników. W razie potrzeby uzyskania informacji dotyczących kursów szkoleniowych bądź w przypadku jakichkolwiek pytań dotyczących użytkowania tego sprzętu, należy skontaktować z firmą Capital Safety.

SPRZĘT OCHRONY OSOBISTEJ (PERSONAL PROTECTIVE EQUIPMENT, PPE): Do kotwionego urządzenia mocującego można podczepić wszystkie rodzaje sprzętu ochrony osobistej zabezpieczającego przed upadkiem lub ograniczającego obszar roboczy w celu niedopuszczenia do upadku. Sprzęt ochrony osobistej wykorzystywany z kotwionym urządzeniem mocującym musi być atestowany zgodnie z odpowiednimi normami EN i, jeśli jest to wymagane, nosić odpowiednie oznakowanie CE. Z kotwionym urządzeniem mocującym można stosować inny sprzęt zabezpieczający przed upadkiem, taki jak bloki samohamowne z kołowrotkami bezwładnościowymi lub urządzenia samozaciskowe. W celu uzyskania informacji o ograniczeniach dotyczących orientacji należy zapoznać się z instrukcją producenta. Pełna uprząż to jedyne akceptowalne urządzenie utrzymujące ciało, które może być stosowane wraz z systemami zabezpieczającymi przed upadkiem.

OSTRZEŻENIE: *Każdy sprzęt ochrony osobistej (PPE) musi być użytkowany i sprawdzany zgodnie z instrukcjami obsługi producentów. Zawsze należy konsultować z producentem, czy kotwione urządzenie mocujące może być użytkowane z określonymi łącznikami, wolną przestrzenią podczas upadku, ostrymi krawędziami itd.*

UDŹWIG: Jak określono na oznaczeniach produktu, w celu zabezpieczenia przed upadkiem do kotwionego urządzenia mocującego może być podłączony maksymalnie tylko jeden (1) użytkownik. Maksymalna dopuszczalna waga (włącznie ze sprzętem i odzieżą) osoby podczepionej do kotwionego urządzenia mocującego to 100 kg.

OBCIĄŻENIE: Rysunek 2 przedstawia prawidłowe (☺) i nieprawidłowe (☹) kierunki obciążeń kotwionego urządzenia mocującego. Obciążenia powinny być zawsze skierowane równoległe do płaszczyzny urządzenia mocującego, nigdy prostopadle do jego płaszczyzny. *Kotwione urządzenie mocujące* jest przeznaczone do użytku z systemami, które ograniczają obciążenia hamowania upadku do najwyżej 6 kN. Obciążenia statyczne nie mogą przekraczać 272 kg. Do kotwionego urządzenia mocującego może być podczepiona wyłącznie jedna osoba. Zabrania się podczepiania dwóch systemów sprzętu ochrony osobistej przez jednego użytkownika.

¹ **KOMPETENTNY INSTRUKTOR:** *Osoba, która przeszła odpowiednie szkolenie oraz posiada wiedzę i doświadczenie umożliwiające prowadzenie szkoleń w sposób kompetentny.*

WSPÓLCZYNNIK ODPADNIĘCIA: Kotwione urządzenie mocujące może być używane w przypadku wszystkich współczynników odpadnięcia: 0, 1 lub 2.

KONTROLA PRZED UŻYCIEM: Przed każdorazowym użyciem kotwione urządzenie mocujące należy skontrolować zgodnie z instrukcjami zamieszczonymi w Tabeli 1.

MONTAŻ

Montaż kotwionego urządzenia mocującego musi być przeprowadzany przez kompetentne osoby², które posiadają wiedzę dotyczącą kotwionego urządzenia mocującego. Wszyscy członkowie zespołów montażowych muszą zapoznać się z poniższymi wytycznymi i zrozumieć je:

PRZED MONTAŻEM: Należy zaplanować system ochrony przed upadkiem. Należy wziąć pod uwagę wszystkie czynniki mające wpływ na bezpieczeństwo podczas użytkowania tego sprzętu. Należy wybrać odpowiednio wytrzymałą konstrukcję, która zapewni ogólne bezpieczeństwo i odpowiednią wytrzymałość na obciążenia. Punkt kotwiczący urządzenia mocującego powinien uwzględniać następujące okoliczności:

- Wysokość nad powierzchnią roboczą.
- Odstęp od najbliższej przeszkody.
- Zagrożenia występujące w obszarze roboczym.
- Rodzaj pożądanego/potrzebnego systemu ochrony przed upadkiem.
- Sprzęt ochrony osobistej do użytku z systemem.

WAŻNE: W przypadku pytań dotyczących używania, konserwacji lub przydatności tego urządzenia do Państwa zastosowania prosimy o kontakt z Capital Safety. Bez wcześniejszej zgody Capital Safety zabrania się modyfikacji i zmian kotwionego urządzenia mocującego.

OSTRZEŻENIE: Prace montażowe dotyczące kotwionego urządzenia mocującego wykonywane na wysokości należy przeprowadzać przy użyciu systemu ochrony przed upadkiem wykorzystującego urządzenie mocujące niezależne od montowanego urządzenia mocującego.

KONSTRUKCJA DO MONTAŻU URZĄDZENIA MOCUJĄCEGO: Konstrukcja, do której mocowane jest kotwione urządzenie mocujące musi wytrzymać siłę o wartości co najmniej 12 kN działającą w przewidywanych kierunkach obciążenia (patrz Rysunek 2). Każda lokalizacja montażu kotwionego urządzenia mocującego musi zapewniać wytrzymanie takich obciążeń.

PŁASZCZYZNA POWIERZCHNI DO MONTAŻU URZĄDZENIA MOCUJĄCEGO: Jeśli kotwione urządzenie mocujące ma być montowane na powierzchniach, które nie są prostopadłe do powierzchni, po których poruszają się użytkownicy (np. zakrzywione lub spadziste dachy, wąskie gzymsy na wysokości głowy), bądź na zakrzywionych powierzchniach prostopadłych do powierzchni, po których poruszają się użytkownicy (np. silosy lub zbiorniki), przed montażem należy skonsultować się z Capital Safety.

WYSOKOŚĆ MONTAŻOWA: Kotwione urządzenie mocujące może być montowane w miejscach znajdujących się na każdej możliwej do wykorzystania wysokości ponad powierzchnią roboczą.

SYSTEMY OGRANICZAJĄCE OBSZAR ROBOCZY W CELU NIEDOPUSZCZENIA DO UPADKU: Jeśli tylko jest to możliwe, planując montaż, należy uwzględnić systemy ograniczające obszar roboczy w celu niedopuszczenia do upadku (patrz Rysunek 1). Systemy ograniczające ruch nie dopuszczają użytkowników do miejsc, w których możliwy jest upadek, uniemożliwiając w ten sposób swobodne spadanie.

SYSTEMY ZABEZPIECZAJĄCE PRZED UPADKIEM: Gdy kotwione urządzenie mocujące jest wykorzystywane w systemie zabezpieczającym przed upadkiem, podczas projektowania należy wziąć pod uwagę następujące czynniki:

- **Punkt kotwienia** – Urządzenia mocujące należy montować jak najwyżej ponad użytkownikami. Zminimalizuje to możliwość swobodnego spadania, ułatwiając akcje ratownicze i ograniczając negatywne skutki dla ofiar. Należy unikać takich lokalizacji urządzenia/punktu mocowania, które zwiększają możliwość upadku w wyniku zakołysania. Gdy punkt kotwiczący nie jest umieszczony bezpośrednio nad punktem, w którym zachodzi upadek, występuje upadek w wyniku zakołysania. Siła uderzenia w przedmioty w czasie upadku wahadłowego może spowodować poważne obrażenia ciała lub śmierć. Należy zminimalizować zagrożenie upadku w wyniku zakołysania, pracując tak blisko punktu kotwiczącego, jak to możliwe.
- **Orientacja urządzenia mocującego** – Kotwione urządzenie mocujące musi być prawidłowo zorientowane w sposób zapewniający wytrzymanie obciążeń systemu (patrz Rysunek 2).
- **Zagrożenia** – Obszar roboczy i przejście poniżej powinny być wolne od wszelkich zagrożeń (pojazdów, ogrodzeń, pieszych, wody/substancji chemicznych itp.), które mogłyby spowodować urazy ciała użytkowników bądź innych osób w razie upadku.

WYMOGI MONTAŻOWE: Kotwione urządzenie mocujące jest montowane przy pomocy śrub M12:

- (Rysunek 3) Montaż w metalu jest przeprowadzany przy pomocy śrub M12 ze stali nierdzewnej klasy A2 lub A4.
- (Rysunek 4) Montaż w murze jest przeprowadzany przy pomocy systemu kotwiącego wykorzystującego klej i śrubę M12 (Hilti HIT-HY 150 lub jego odpowiednik). W przypadku montażu z zastosowaniem systemu kotwiącego wykorzystującego klej należy stosować się do instrukcji producenta.
- Do każdego montażu należy stosować nakrętkę kontruującą oraz podkładkę. Wszystkie elementy montażowe powinny być dokręcone momentem zgodnym z zaleceniami producenta.
- Po montażu do kotwionych urządzeń mocujących należy przyczepiać etykiety montażowe.

TEST OBCIĄŻENIA PRÓBNEGO: Po montażu kotwione urządzenie mocujące należy próbnie obciążyć. Przy pomocy miernika siły naciągu należy przez co mniej 15 sekund zastosować obciążenie o wartości 5 kN w kierunku prostopadłym do stycznej powierzchni. Kotwa nie może się wysunąć, a ucho nie może ulec deformacji.

² **KOMPETENTNA OSOBA:** Osoba wyznaczona przez pracodawcę jako osoba odpowiedzialna za bezpośredni nadzór, wdrażanie i monitorowanie zarządzanego przez pracodawcę programu ochrony przez upadkami, która dzięki szkoleniom i posiadanej wiedzy jest w stanie identyfikować, oceniać i reagować na istniejące oraz potencjalne ryzyko upadku i która jest upoważniona przez pracodawcę do niezwłocznego podejmowania działań naprawczych dotyczących tego ryzyka.

UWAGA:

- *Capital Safety zdecydowanie zaleca montaż urządzeń mocujących zgodnie z instrukcjami użytkownika producentów oraz wymogami montażowymi normy EN 795 klasa B oraz BS 7883 klasa B (tylko Wielka Brytania).*
- *Próbne obciążenie nie jest wymagane w przypadku montażu w otworach przelotowych w konstrukcjach stalowych, chyba że wymaga tego nabywca.*
- *Każde kotwione urządzenie mocujące musi wytrzymać obciążenie próbne o wartości 500 kg bez deformacji, stałego zgięcia bądź wysunięcia się kotwy. Każdy z powyższych objawów oznacza niepowodzenie próby. Każde niepowodzenie oznacza, że testowana kotwa nie nadaje się do zastosowania z danym materiałem budowlanym i trzeba ją odrzucić. Należy zwrócić się do producenta kotew w celu uzyskania instrukcji dotyczących odpowiedniej kotwy dla danego materiału bazowego.*
- *W przypadku niepowodzenia należy zakupić odpowiednią kotwę i ponownie przeprowadzić test. Należy wyrzucić wszystkie odrzucone urządzenia mocujące, a otwory montażowe zatkać, aby nie dopuścić do ich ponownego wykorzystania.*
- *Po przeprowadzeniu testu należy dokładnie sprawdzić materiał konstrukcyjny pod kątem pęknięć bądź innych defektów. Ma to podstawowe znaczenie, gdy urządzenia mocujące są montowane blisko krawędzi materiału konstrukcyjnego. W przypadku montażu urządzeń mocujących blisko krawędzi konstrukcji należy skonsultować się z producentem, czy kotwa, która ma być użyta, jest odpowiednia.*

KONTROLE I SERWIS

W Tabeli 1 wyszczególniono procedury kontrolne i serwisowe, a także ich częstotliwość. Serwis powinien być wykonywany wyłącznie przez przeszkolone i kompetentne osoby². Kontrolowane/serwisowane kotwione urządzenia mocujące nie mogą być użytkowane. Należy korzystać z innych urządzeń mocujących oraz z niezależnych systemów ochrony przed upadkiem.

Tabela 1 – Kontrole i serwis

Częstotliwość:		Kontrole/serwis:	Działanie:
Przed każdym użyciem	Co roku		
X		Skontroluj, czy wszystkie części podłączonego systemu zabezpieczającego są bezpiecznie i prawidłowo połączone z sobą.	Połącz ponownie nieprawidłowo połączone części. Sprawdź wymagania dotyczące połączeń w Instrukcji użytkownika producenta.
X	X	Skontroluj, czy metal, z którego wykonano kotwione urządzenie mocujące jest wolny od wad (nadmierna korozja, zużycie, szczeliny, pęknięcia, zgięcia itp.).	Jeśli wady są na tyle poważne, że osłabiają wytrzymałość kotwionego urządzenia mocującego, wycofaj urządzenie mocujące z użytku i wymień je.
X	X	Skontroluj oznaczenia kotwionego urządzenia mocującego (patrz zdjęcie na okładce). Wszystkie oznaczenia muszą znajdować się na swoim miejscu i być czytelne.	W przypadku braku oznaczeń lub gdy są one nieczytelne, wycofaj urządzenie mocujące z użytku i wymień je.
X	X	Skontroluj, czy kotwy i materiał konstrukcyjny nie są uszkodzone w sposób, który mógłby osłabić właściwości nośne urządzenia mocującego. Skontroluj pobliski obszar roboczy, aby upewnić się, że jest on wolny od zagrożeń i przeszkód, które mogłyby spowodować urazy ciała użytkowników lub wpłynąć na działanie systemu.	Wymień uszkodzone kotwy. Ponownie zamontuj urządzenie mocujące w nowym otworze, jeśli materiał konstrukcyjny wokół otworu montażowego uległ uszkodzeniu. Jeśli urządzenie mocujące zostało zamontowane w murze przy pomocy systemu kotwiącego wykorzystującego klej, należy ponownie zamontować je w nowym otworze.
	X	Montaż w murze: Urządzenia mocujące zamontowane w murze należy co 12 miesięcy obciążać próbnie (patrz <i>Test obciążeń próbnych</i>). Śruby kotwiące należy dokręcić przy pomocy klucza dynamometrycznego z przyłożeniem momentu obrotowego zgodnego z zaleceniami producenta. Części wadliwe należy wymieniać.	
	X	Montaż w otworach przelotowych w metalu: Co 12 miesięcy należy wzrokowo kontrolować, czy metal znajdujący się wokół urządzeń mocujących zakotwionych w otworach przelotowych w metalu jest wolny od wad. Śruby kotwiące należy dokręcić przy pomocy klucza dynamometrycznego z przyłożeniem momentu obrotowego zgodnego z zaleceniami producenta. Części wadliwe należy wymieniać.	

WAŻNE: W ekstremalnych warunkach pracy (np. w trudnych warunkach, podczas długotrwałego stosowania itd.) konieczne może być zwiększenie częstości kontroli. Daty i wyniki kontroli/serwisu należy zapisywać w „Historii kontroli okresowych i napraw” w „Ogólnych instrukcjach użytkownika i konserwacji” (5902392).

WAŻNE: Jeśli kontrola przed użyciem wzbudzi jakiegokolwiek wątpliwości dotyczących stanu sprzętu, sprzęt należy wycofać z użytku. Sprzęt w żadnym wypadku nie może być przywrócony do użytku do momentu uzyskania pisemnego potwierdzenia, że stan sprzętu umożliwi jego dalszą eksploatację, wystawionego przez kompetentną osobę.

WAŻNE: W razie upadku i zahamowania go kotwione urządzenie mocujące musi być wycofane z użytku i skontrolowane przez kompetentną osobę celem określenia, czy nadaje się do dalszej eksploatacji. Jeśli sprzęt zostanie przywrócony do eksploatacji, fakt ten należy bezwzględnie zarejestrować w Dzienniku kontroli i konserwacji znajdującym się w niniejszej instrukcji.

WAŻNE: Aby zapewnić bezpieczeństwo użytkownika w przypadku odsprzedaży kotwionego urządzenia mocującego poza granice pierwotnego kraju przeznaczenia, osoba dokonująca odsprzedaży musi dostarczyć instrukcję użytkownika, konserwacji, okresowych kontroli i napraw w języku kraju, w którym produkt ma być użytkowany.

OZNACZENIA (Patrz Rysunek 5)

(A)	Standard spełniany przez urządzenie mocujące.
(B)	Numer organu certyfikującego.
(C)	Przeczytaj instrukcję użytkownika.
(D)	Numer seryjny.
(E)	Rok produkcji.
(F)	Nazwa marki.
(G)	Numer części.

<p align="center">LIMITED LIFETIME WARRANTY</p> <p>Warranty to End User: CAPITAL SAFETY warrants to the original end user ("End User") that its products are free from defects in materials and workmanship under normal use and service. This warranty extends for the lifetime of the product from the date the product is purchased by the End User, in new and unused condition, from a CAPITAL SAFETY authorised distributor. CAPITAL SAFETY'S entire liability to End User and End User's exclusive remedy under this warranty is limited to the repair or replacement in kind of any defective product within its lifetime (as CAPITAL SAFETY in its sole discretion determines and deems appropriate). No oral or written information or advice given by CAPITAL SAFETY, its distributors, directors, officers, agents or employees shall create any different or additional warranties or in any way increase the scope of this warranty. CAPITAL SAFETY will not accept liability for defects that are the result of product abuse, misuse, alteration or modification, or for defects that are due to a failure to install, maintain, or use the product in accordance with the manufacturer's instructions. THIS WARRANTY IS THE ONLY WARRANTY APPLICABLE TO OUR PRODUCTS AND IS IN LIEU OF ALL OTHER WARRANTIES AND LIABILITIES, EXPRESSED OR IMPLIED.</p>	<p align="center">Lebenslange Garantie mit Einschränkung</p> <p>Endbenutzer-Garantie: CAPITAL SAFETY garantiert dem ursprünglichen Endbenutzer („Endbenutzer“), dass seine Produkte unter normalem Gebrauch und Betrieb frei von Material- und Herstellungsfehlern sind. Diese Garantie erstreckt sich auf die Lebensdauer des Produkts ab dem Datum, an dem der Endbenutzer das Produkt neu und ungebraucht von einem durch CAPITAL SAFETY autorisierten Händler gekauft hat. Die gesamte Haftung von CAPITAL SAFETY dem Endbenutzer gegenüber und der einzige Anspruch des Endbenutzers ist gemäß dieser Garantie beschränkt auf die Reparatur oder den Ersatz von defekten Produkten innerhalb ihrer Lebensdauer (eine Einschätzung diesbezüglich wird von CAPITAL SAFETY nach eigenem Ermessen durchgeführt). Keine von CAPITAL SAFETY schriftlich oder mündlich an Händler, Vorstandsmitglieder, Führungskräfte, Agenten oder Angestellte übergebenen Informationen oder Hinweise ergeben jegliche andere oder zusätzliche Gewährleistungen, noch erhöhen sie den Umfang dieser Garantie. CAPITAL SAFETY schließt eine Haftung für Defekte aufgrund von unsachgemäßem Gebrauch, Änderungen oder Modifikationen am Produkt sowie für Defekte, die darauf zurückzuführen sind, dass das Produkt nicht gemäß der Anweisungen des Herstellers montiert, gewartet und verwendet wurde, aus. DIESE GARANTIE IST DIE EINZIG GÜLTIGE GARANTIE FÜR UNSERE PRODUKTE UND LIEGT ANSTELLE VON ALLEN ANDEREN GARANTIEN UND HAFTUNGSBEDINGUNGEN, SEI ES AUSDRÜCKLICH ODER STILLSCHWEIGEND.</p>
<p align="center">Garantie limitée à vie</p> <p>Garantie de l'utilisateur final : CAPITAL SAFETY garantit à l'utilisateur final d'origine (« Utilisateur final ») que ses produits sont exempts de défauts de matériaux et de fabrication dans des conditions d'utilisation et d'entretien normales. Cette garantie s'étend pendant toute la durée de vie du produit à compter de la date d'achat du produit par l'utilisateur final, en état neuf et inutilisé, auprès d'un distributeur agréé. L'entière responsabilité de CAPITAL SAFETY envers l'utilisateur final et le recours exclusif de l'utilisateur final dans le cadre de cette garantie se limite à la réparation ou au remplacement en nature de tout produit défectueux pendant sa durée de vie (si CAPITAL SAFETY, à sa seule discrétion, le juge nécessaire). Aucune information ni aucun conseil, qu'ils soient oraux ou écrits, donnés par CAPITAL SAFETY, ses distributeurs, directeurs, responsables, agents ou employés ne créera de garanties différentes ou supplémentaires ni n'augmentera l'étendue de cette garantie. CAPITAL SAFETY n'assurera en aucun cas la responsabilité de défauts résultant d'une utilisation abusive du produit, de sa mauvaise utilisation, de son altération ou de sa modification, ou de défauts découlant du non-respect des instructions du fabricant en matière d'installation, d'entretien ou de conditions d'utilisation. CETTE GARANTIE EST LA SEULE GARANTIE APPLICABLE À NOS PRODUITS ET ELLE REMPLACE TOUTES LES AUTRES GARANTIES ET RESPONSABILITÉS EXPRIMÉES OU IMPLICITES.</p>	<p align="center">Garantía limitada de por vida</p> <p>Garantía para el Usuario final: CAPITAL SAFETY garantiza al usuario final original ("Usuario final") que sus productos están libres de defectos en materiales y mano de obra bajo condiciones normales de uso y servicio. Esta garantía abarca toda la vida útil del producto, desde la fecha de compra del producto por parte del Usuario final, en estado nuevo y sin uso, a un distribuidor autorizado de CAPITAL SAFETY. Toda la responsabilidad de CAPITAL SAFETY para con el Usuario final y el recurso exclusivo del Usuario final en virtud de esta garantía, se limita a la reparación o sustitución en especie de cualquier producto defectuoso dentro de su vida útil (como CAPITAL SAFETY lo determine y estime conveniente a su sola discreción). Ninguna información oral o escrita, o información dada por CAPITAL SAFETY, sus distribuidores, directores, técnicos, agentes o empleados, creará ninguna garantía distinta o adicional, ni de alguna manera ampliará el alcance de esta garantía. CAPITAL SAFETY no acepta responsabilidad por defectos que sean resultado del abuso, mal uso, alteración o modificación del producto, ni por los defectos que se deban a una instalación, mantenimiento o utilización que no esté de acuerdo con las instrucciones del fabricante. ESTA GARANTÍA ES LA ÚNICA GARANTÍA APLICABLE A NUESTROS PRODUCTOS Y SUSTITUYE A CUALQUIER OTRA GARANTÍA O RESPONSABILIDAD, EXPRESA O IMPLÍCITA.</p>
<p align="center">BEPERKTE LEVENSLANGE GARANTIE</p> <p>Garantie voor eindgebruiker: CAPITAL SAFETY garandeert de oorspronkelijke eindgebruiker ("eindgebruiker") dat zijn producten bij normaal gebruik en service vrij zijn van defecten in materialen en vakmanschap. Deze garantie strekt zich uit tot de levensduur van het product vanaf de datum waarop het product in nieuwstaat en in ongebruikte toestand door de eindgebruiker wordt aangeschaft bij een door CAPITAL SAFETY geautoriseerde distributeur. De gehele aansprakelijkheid van CAPITAL SAFETY jegens de eindgebruiker en de enige remedie die de eindgebruiker ter beschikking staat onder deze garantie, is beperkt tot het repareren of vervangen van het defecte product binnen zijn levensduur (uitsluitend zoals CAPITAL SAFETY naar eigen goeddunken bepaalt en van toepassing acht). Geen enkele informatie of geen enkel advies, mondeling of schriftelijk, verstrekt door CAPITAL SAFETY, diens distributeurs, directeuren, functionarissen, agenten of medewerkers creëert andere of aanvullende garanties en vergroot in geen enkel geval de reikwijdte van deze garantie. CAPITAL SAFETY neemt geen aansprakelijkheid voor defecten die het gevolg zijn van misbruik, verkeerd gebruik, verandering of aanpassing van het product, of voor defecten die het gevolg zijn van het niet opvolgen van de instructies van de fabrikant bij het installeren, onderhouden of gebruiken van het product. DEZE GARANTIE IS DE ENIGE GARANTIE DIE VAN TOEPASSING IS OP ONZE PRODUCTEN EN TREEDT NIET IN DE PLAATS VAN ANDERE UITDRUKKELIJKE OF STILZWIJGENDE GARANTIES EN AANSPRAKELIJKHEDEN.</p>	<p align="center">OGRANICZONA GWARANCJA BEZTERMINOWA</p> <p>Gwarancja dla Użytkownika Końcowego: CAPITAL SAFETY gwarantuje pierwotnemu użytkownikowi końcowemu („Użytkownik Końcowy”), że jego produkty są wolne od wad materiałowych i produkcyjnych w warunkach normalnego użytkowania i funkcjonowania. Niniejsza gwarancja obejmuje cały okres użytkowania produktu od dnia jego zakupu przez Użytkownika Końcowego, w stanie nowym i nieużywanym, od autoryzowanego dystrybutora CAPITAL SAFETY. Całkowita odpowiedzialność CAPITAL SAFETY wobec Użytkownika Końcowego i wyłączny środek prawny przysługujący Użytkownikowi Końcowemu w ramach niniejszej gwarancji ogranicza się do naprawy lub wymiany na nowy każdego wadliwego produktu w całym okresie jego użytkowania (jak CAPITAL SAFETY uzna za stosowne według własnego uznania). Żadne ustne i pisemne informacje czy rady udzielane przez CAPITAL SAFETY lub jej dystrybutorów, dyrektorów, urzędników, agentów lub pracowników nie stanowią żadnych innych lub dodatkowych gwarancji ani w żaden sposób nie zwiększają zakresu niniejszej gwarancji. CAPITAL SAFETY nie ponosi odpowiedzialności za wady, które są wynikiem nadużywania, niewłaściwego użytkowania, zmiany lub modyfikacji produktu, lub za wady spowodowane instalacją, utrzymaniem lub użytkowaniem produktu w sposób niezgodny z instrukcją producenta. NINIEJSZA GWARANCJA JEST JEDYNĄ GWARANCJĄ MAJĄCĄ ZASTOSOWANIE DO NASZYCH PRODUKTÓW I WYKLUCZA WSZELKIE INNE GWARANCJE I ZOBOWIĄZANIA, WYRAŻNE LUB DOMNIEMANE.</p>



USA
3833 SALA Way
Red Wing, MN 55066-5005
Toll Free: 800.328.6146
Phone: 651.388.8282
Fax: 651.388.5065
solutions@capitalsafety.com

Brazil
Rua Anne Frank, 2621
Boqueirão Curitiba PR
81650-020
Brazil
Phone: 0800-942-2300
brasil@capitalsafety.com

Mexico
Calle Norte 35, 895-E
Col. Industrial Vallejo
C.P. 02300 Azcapotzalco
Mexico D.F.
Phone: (55) 57194820
mexico@capitalsafety.com

Colombia
Compañía Latinoamericana de Seguridad S.A.S.
Carrera 106 #15-25 Interior 105 Manzana 15
Zona Franca - Bogotá, Colombia
Phone: 57 1 6014777
servicioalcliente@capitalsafety.com

Canada
260 Export Boulevard
Mississauga, ON L5S 1Y9
Phone: 905.795.9333
Toll-Free: 800.387.7484
Fax: 888.387.7484
info.ca@capitalsafety.com

EMEA (Europe, Middle East, Africa)
EMEA Headquarters:
5a Merse Road
North Moons Moat
Redditch, Worcestershire
B98 9HL UK
Phone: + 44 (0)1527 548 000
Fax: + 44 (0)1527 591 000
csgne@capitalsafety.com

France:
Le Broc Center
Z.I. 1re Avenue - BP15
06511 Carros Le Broc Cedex
France
Phone: + 33 04 97 10 00 10
Fax: + 33 04 93 08 79 70
information@capitalsafety.com

Australia & New Zealand
95 Derby Street
Silverwater
Sydney NSW 2128
Australia
Phone: +(61) 2 8753 7600
Toll-Free : 1800 245 002 (AUS)
Toll-Free : 0800 212 505 (NZ)
Fax: +(61) 2 8753 7603
sales@capitalsafety.com.au

Asia
Singapore:
69, Ubi Road 1, #05-20
Oxley Bizhub
Singapore 408731
Phone: +65 - 65587758
Fax: +65 - 65587058
inquiry@capitalsafety.com

Shanghai:
Rm 1406, China Venturetech Plaza
819 Nan Jing Xi Rd,
Shanghai 200041, P R China
Phone: +86 21 62539050
Fax: +86 21 62539060
inquiry@capitalsafety.cn

www.capitalsafety.com

